



HAMPTON CONCRETE PRODUCTS, INC.

www.hamptonconcrete.com

1435 PITTSBURGH ROAD, ROUTE 8

VALENCIA, PA 16059

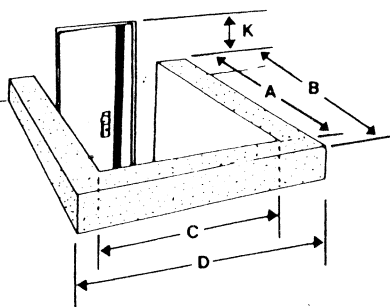
TEL (724) 443-7205 FAX (724) 443-7207

PA 6939

- * ORNAMENTAL IRON AND ALUMINUM
- * EGRESS
- * UNIT STEPS
- * CURBING
- * PRE-CAST CATCH CATCH BASINS
- * OUTSIDE BASEMENT ENTRANCE
- * TRENCHES

SOLD TO _____
 ADDRESS _____
 CITY _____ STATE _____
 INSTALLED AT _____

EMAIL _____
 PHONE # _____
 MOBILE # _____
 FAX # _____
 DATE OF ORDER _____
 DATE INSTALLED _____



A = _____ B = _____
 C = _____ D = _____
 K = _____

CONTRACT AGREEMENT

I, the buyer, acknowledge delivery to me of the merchandise described in this agreement, and agree that the title and ownership of said merchandise is to remain in the seller's name until the entire amount due for said merchandise shall have been fully paid in cash. I agree to assume the risk and liability of any wear, excluding the ordinary wear, damage to, or loss of said property from any cause whatsoever, and agree that if said merchandise is repossessed by the seller all payments made may be retained by the seller. I agree to pay any expenses incurred by the seller in enforcing or in attempting to enforce any remedy hereunder, or given by law, including reasonable attorneys fees, time is of essence of this agreement.

A 1.25% FINANCE CHARGE PER MONTH, WHICH IS AN ANNUAL PERCENTAGE RATE OF 15% WILL BE APPLIED TO ACCOUNTS WHICH ARE OUTSTANDING MORE THAN 30 DAYS FROM INVOICE DATE.

Customer's
Signature

Rec'd by

purchase total		
delivery		
sales tax		
total		
less down payment		
balance		
total unpaid balance		
c.o.d.		