

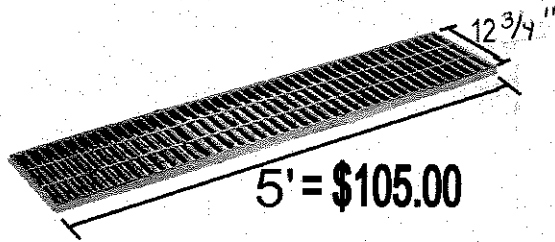


Hampton Concrete Products, Inc.
 1435 Pittsburgh Road
 Valencia PA 16059
 724.443.7205
 www.hamptonconcrete.com
 PA 6939

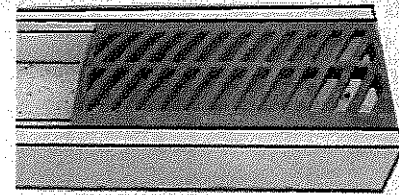
Trench Prices For April 1, 2018

Prices subject to change without notice

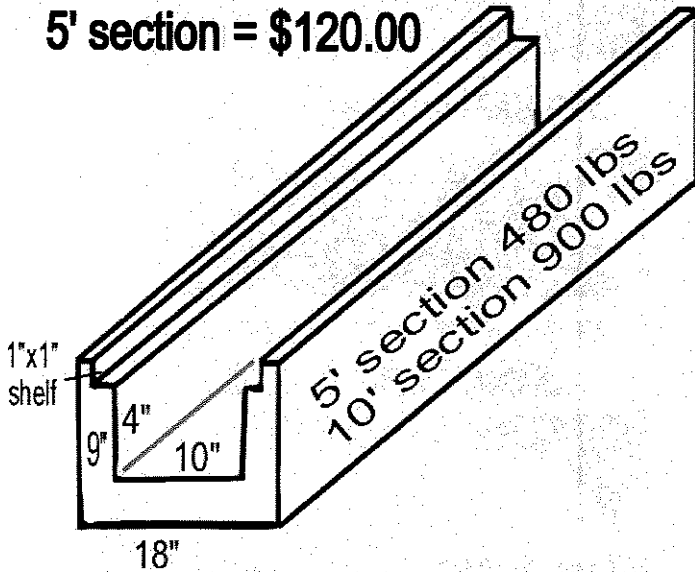
Standard Trench Grate



Cast Iron Trench Grate
 \$220.00 per 30" piece

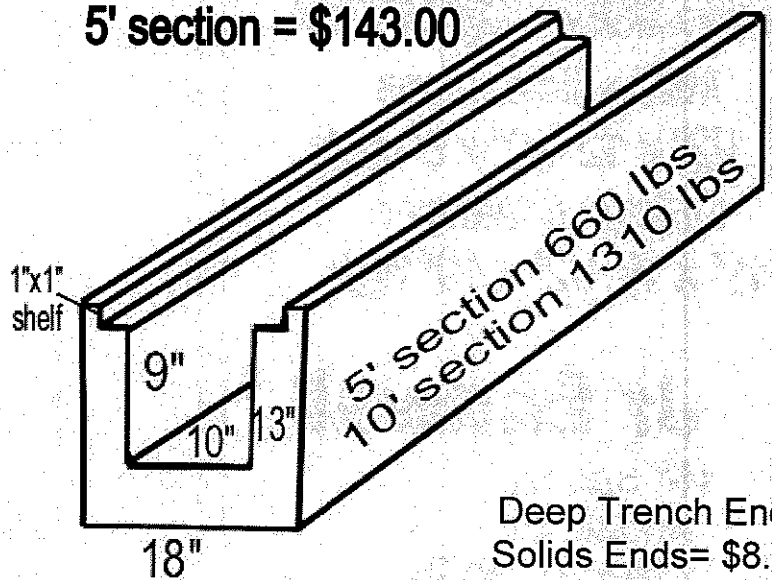


Shallow Trench
 10' section = \$240.00
 5' section = \$120.00



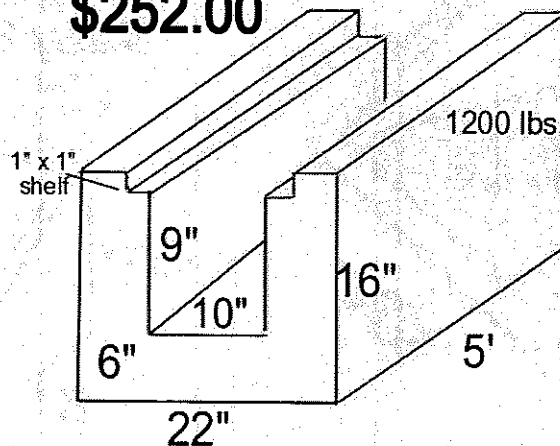
Shallow Trench Ends
 Solids Ends = \$6.20
 Ends with insert = \$12.40

Deep Trench
 10' section = \$285.00
 5' section = \$143.00



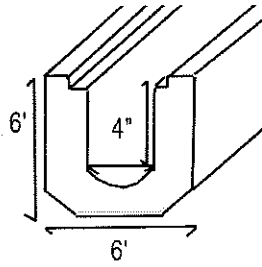
Deep Trench Ends
 Solids Ends = \$8.25
 Ends with insert = \$14.45

Heavy Trench
 \$252.00



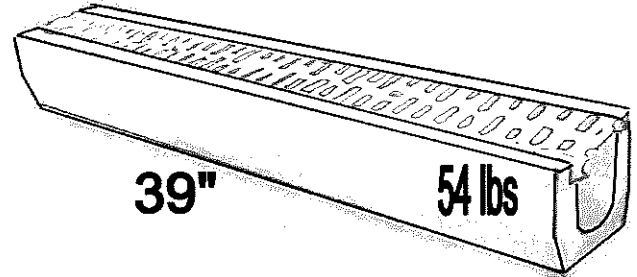
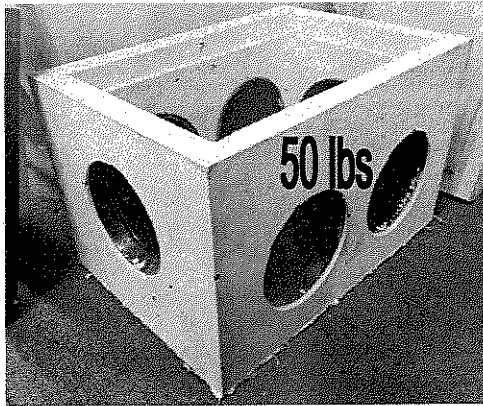
Hampton Concrete Products, Inc.
 1435 Pittsburgh Road
 Valencia PA 16059
 724.443.7205
 www.hamptonconcrete.com
 PA 6939

Prices subject to change without notice

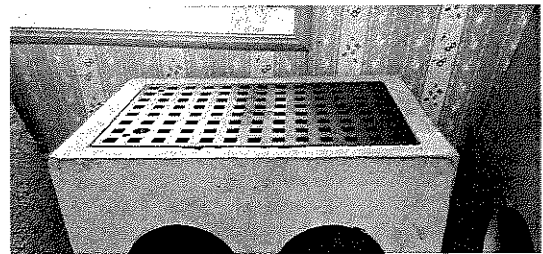


Small Trench \$36.00 per piece
 Galvanized Grating \$34.00
 Endcaps \$14.00 each

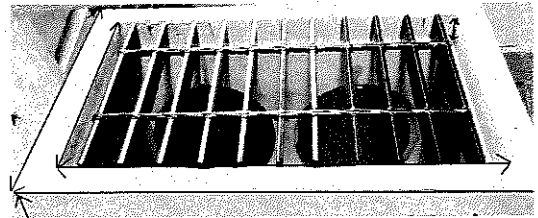
Baby Distribution Box \$32.00



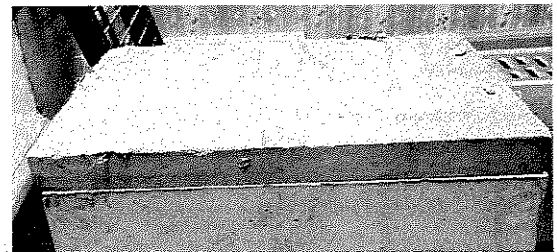
Plastic Grate \$25.00



Straight Grate \$20.00

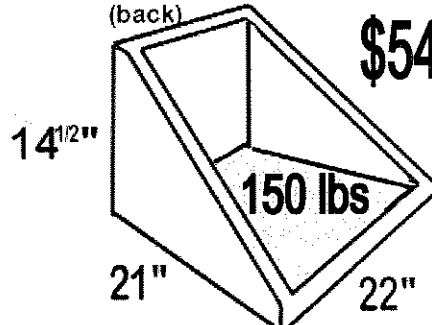


Solid Lid \$7.20



Baby Endwall

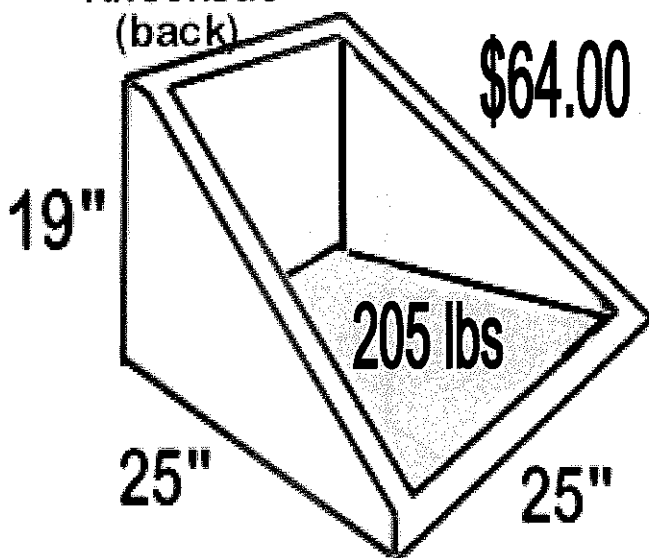
10" Square
 Knockout
 (back)



\$54.00

Jr Endwall

15" Square
 Knockout
 (back)



\$64.00