

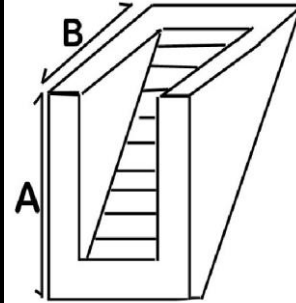
Height from
footer to grade? _____



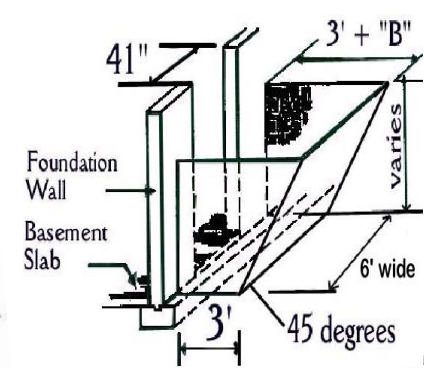
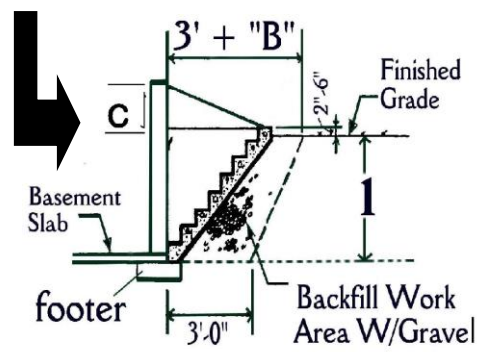
Hampton Concrete Products, Inc.
1435 Pittsburgh Road
Route 8
Valencia, PA 16059
724-443-7205
www.hamptonconcrete.com

**Basement Entrance
Prices April 1, 2019**
Prices subject to change
without notice
PA 6939

| 1 FOOTER TO GRADE | A HT | B LGTH | C DOOR HT | UNIT WIDTH | CONCRETE UNIT PRICE | CONCRETE & CLEAR DOOR PRICE | CONCRETE & STEEL DOOR PRICE |
|-------------------|------|----------|-------------|------------|---------------------|-----------------------------|-----------------------------|
| 35"-41" | 43" | 45" | 51" | 51 1/2" | 1294.00 | 2441.00 | 2019.00 |
| 52"-58" | 60" | 60" | 28-30" | 51 1/2" | 1358.00 | 2441.00 | 2019.00 |
| 59"-66" | 68" | 67 1/2" | 28" | 55 1/2" | 1515.00 | 2647.00 | 2219.00 |
| 67"-74" | 76" | 76" | 19" | 55 1/2" | 1515.00 | 2647.00 | 2219.00 |
| 75"-82" | 84" | 88 1/2" | 19" | 55 1/2" | 1564.00 | 2997.00 | 2462.00 |
| 83"-91" | 93" | 95 1/2" | 19" | 55 1/2" | 1785.00 | 3255.00 | 2719.00 |
| 92"-99" | 101" | 104" | 19"-22 1/2" | 55 1/2" | 1943.00 | 3502.00 | 2972.00 |
| 100"-108" | 111" | 114 1/2" | 22" | 55 1/2" | 2112.00 | 4007.00 | 3372.00 |



Per trip delivery schedule

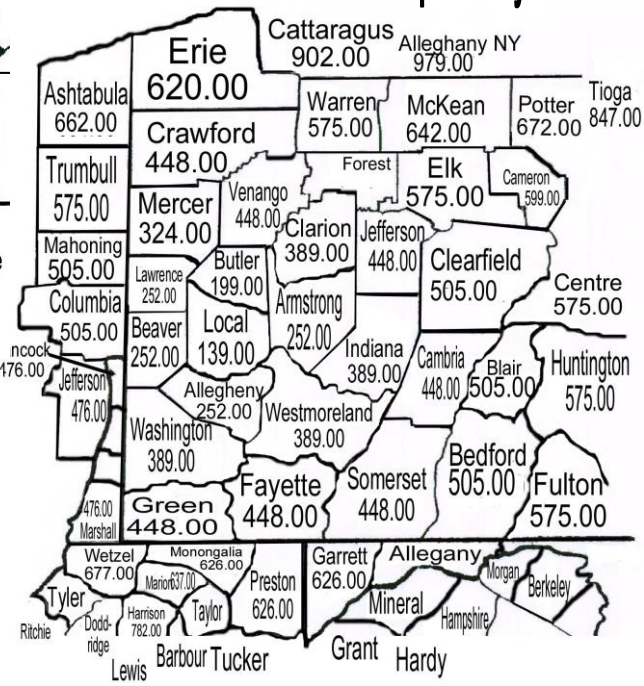


How to Order:

1. Determine the height from footer to grade.
2. Refer to the Basement Entrance chart and select the size to assure the top of the unit will be 2"-6" above finished grade.

Job Requirements:

1. Width of opening in foundation wall maximum 41" for all types.
2. When foundation is backfilled Leave minimum work area for Basement Entrance installation as shown.
3. After Basement Entrance installation fill with gravel.





HAMPTON CONCRETE PRODUCTS, INC.

www.hamptonconcrete.com

1435 PITTSBURGH ROAD, ROUTE 8
VALENCIA, PA 16059
TEL (724) 443-7205 FAX (724) 443-7207
PA 6939

- * ORNAMENTAL IRON AND ALUMINUM
- * EGRESS
- * UNIT STEPS
- * CURBING
- * PRE-CAST CATCH CATCH BASINS
- * OUTSIDE BASEMENT ENTRANCE
- * TRENCHES

SOLD TO _____ EMAIL _____
 ADDRESS _____ PHONE # _____
 CITY _____ STATE _____ MOBILE # _____
 INSTALLED AT _____ FAX # _____
 _____ DATE OF ORDER _____
 _____ DATE INSTALLED _____

* If for any reason, within your control, we cannot complete the job you will be charged a minimum of an extra delivery.
 * The following is a list of important questions we need to know to get the job done right.
 * You are responsible for the job, even if we check the job site. Please make sure you are aware of any changes on the job site that will get in the way of our installation.

CLEARGRESS ~ STEEL ~ NO DOOR (circle one)

CIRCLE TYPE/ HEIGHT OF UNIT **G 110"** **F 101"** **E 93"** **D 84"** **C 76"** **B 68"** **O 60"** **SL 43"** (CONT. OR HOME OWNER) (ON ACCT. OR C.O.D.) (NEW CONST. OR EXISTING HOME)
 (Yes or (No) **2 pc**
 Are we legal to drive our truck to your location?
 (height and weight limit on roads or bridges)
 Can we Reach? How close can we get? _____ ft
 (# of ft. from ctr. of the unit to ctr. rear of truck)
 Is there 24' for our outriggers? (stabilizers)
 Is there 25' overhead clearance for our crane?
 (trees, wires, awning)
 What is the state of your yard? (Rock *2*4 *6*8 Swamp)
 Is there 8000 lb solid ground for our base?
 Is the footer swept clean and dry?
 Is the hole in the ground to our specs?

Foundation made of: block, precast, poured, stone (circle one)
 _____ Is the framing completed on the foundation?
 _____ Is thouse flush (even) with foundation (brick or siding)
 _____ Is the wall plumb? (straight up and down)
 _____ Are the mortar joints and parging smooth and even with wall?
 _____ 4" from footer to finished floor? If not how much _____?
 _____ Is the floor flush (even) with the outside of foundation wall?
 _____ Is it okay for us to drill through the wall?
 _____ (electric box, reinforcement, paneling, drywall)
 _____ 6" x 6" area inside the basement wall clear?
 _____ (We need room to work)

→ In order to avoid additional charges the above tasks must be completed before we arrive. ←

Directions to the job:

Unit Price: \$ _____ + Delivery: \$ _____ + Any Various Charges: \$ _____ = Total Price: \$ _____

Signature: _____ (Must have signature for an order)

CONTRACT AGREEMENT: I, the buyer, acknowledge delivery to me of the merchandise described in this agreement, and agree that the title and ownership of said merchandise is to remain in the seller's name until the entire amount due for said merchandise shall have been fully paid in cash. I agree to assume the risk and liability of any wear, excluding the ordinary wear, damage to, or loss of said property from any cause whatsoever, and agree that if said merchandise is repossessed by the seller all payments made may be retained by the seller. I agree to pay any expenses incurred by the seller in enforcing or in attempting to enforce any remedy hereunder, or given by law, including reasonable attorneys fees, time is of essence of this agreement.