

Hampton Concrete Products, Inc.

www.hamptonconcrete.com

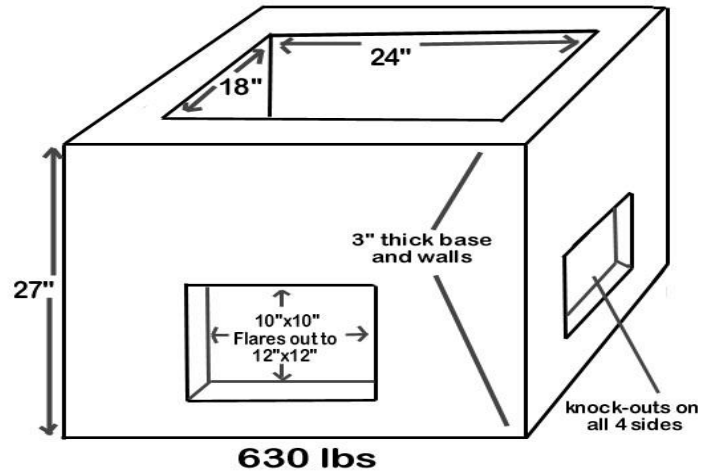
724-443-7205

Small Catch Basins - April 1, 2021

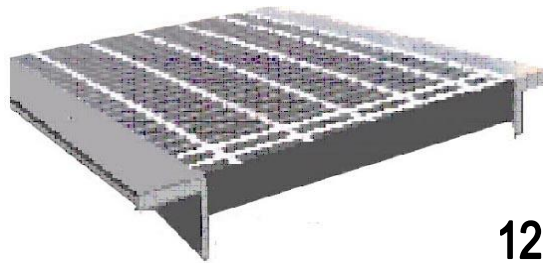
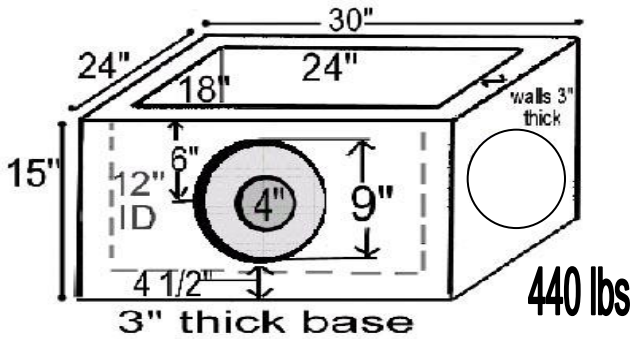
Prices subject to change without notice

PA6939

## 18x24x24 Catch Basin \$158.00

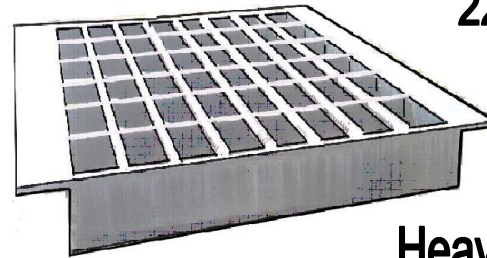


## 18x24x12 Catch Basin \$139.00



### Angle Grate

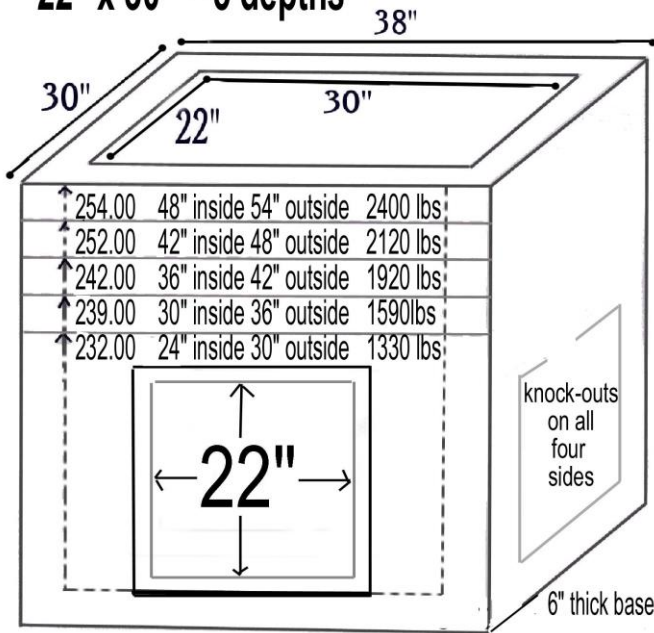
- 12" x 17" - \$47.00
- 18" x 24" - \$133.00
- 22" x 30" - \$190.00



### Heavy Angle Grate

- 18" x 24" - \$200.00
- 22" x 30" - \$256.00

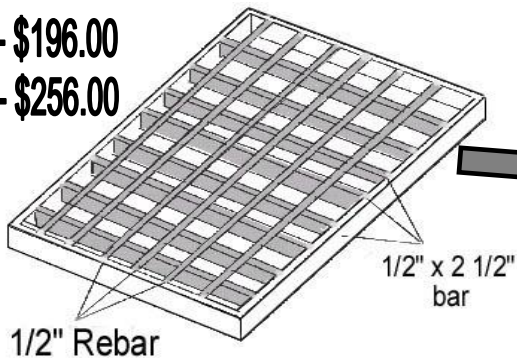
## 22" x 30" - 5 depths



## Heavy Bike Grate

18" x 24" - \$196.00

22" x 30" - \$256.00



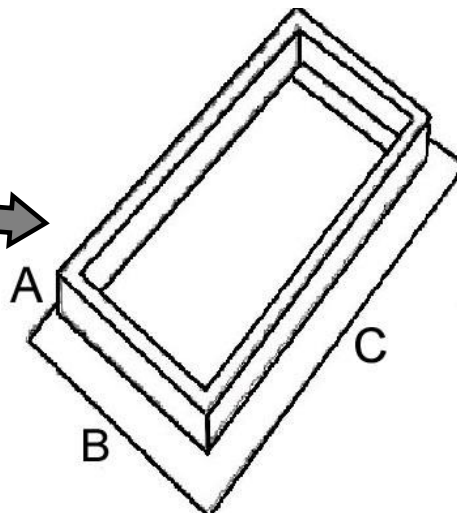
## Heavy Frame

18" x 24" - \$189.00

A=3" B=23 1/2" C=29 1/2"

22" x 30" - \$202.00

A=3" B=29" C=37"





Hampton Concrete Products, Inc.  
 1435 Pittsburgh Road  
 Valencia PA 16059  
 (724) 443-7205  
 www.hamptonconcrete.com  
 PA6939

# 2 x 4 CATCH BASINS

Prices for April 1, 2021  
 Prices subject to change without notice

5'

**3'** 2'x4' Catch Basin Risers

24" Riser	\$169.00	approx wt 2000 lbs
18" Riser	\$136.00	1480 lbs
12" Riser	\$113.00	1020 lbs
8" Riser	\$105.00	680 lbs
6" Riser	\$104.00	510 lbs
4" Riser	\$102.00	340 lbs

2'x4' Catch Basins no bottom

48" Catch Basin	\$315.00	approx wt 3400 lbs
42" Catch Basin	\$304.00	3000 lbs
36" Catch Basin	\$290.00	2300 lbs
30" Catch Basin	\$246.00	2100 lbs

24"

2'x4' Catch Basins with bottom

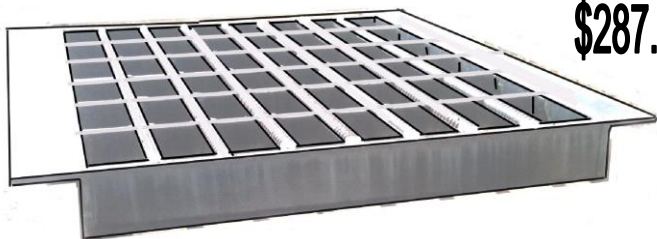
42" ID 48" OD	\$382.00	approx wt 3800 lbs
36" ID 42" OD	\$369.00	3400 lbs
30" ID 36" OD	\$355.00	2820 lbs
24" ID 30" OD	\$339.00	2300 lbs

24"  
 6"

3' x 5' Base (or top)  
 \$103.00

3'

5'



2'x4' Angle Grate  
 \$287.00

Type M Concrete Ring \$134.00  
 6" ~ 490 lbs  
 8" ~ 650 lbs

3'

5'

2' x 4' Heavy Bike Grate \$302.00

26 1/2"

47 3/4"

2 1/2"

1/2" Rebar

1/2" x 2 1/2" bar

Type C Concrete Ring \$315.00

2x4 Basket Grate \$368.00

pictures available upon request

2'x4' Heavy Frame \$202.00

**End Wall**  
 46" \$342.00

27"

17"

39"

21" or 30" dia.

2600#

72"