

Hampton Concrete Products, Inc.

www.hamptonconcrete.com

724-443-7205

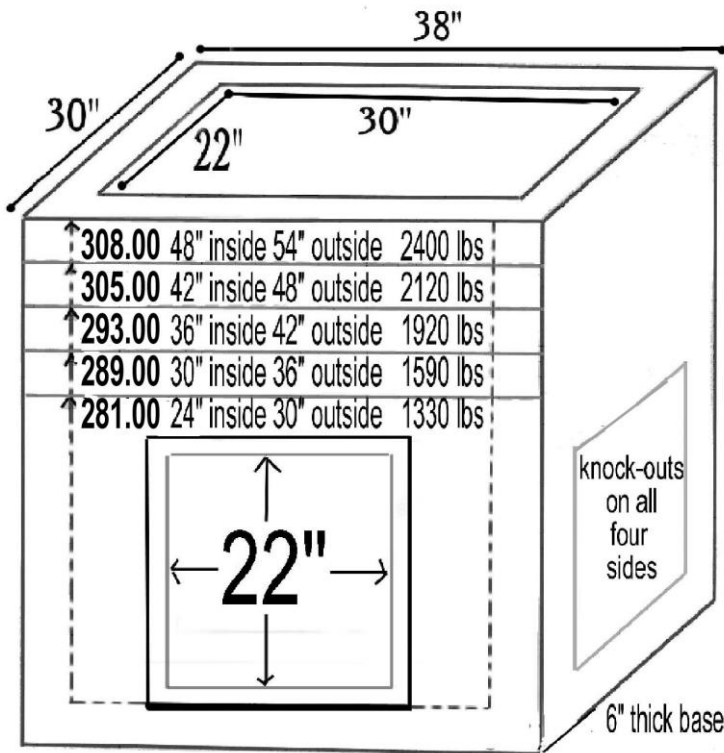
Small Catch Basins - February 2023

PRICES SUBJECT TO CHANGE WITHOUT NOTICE

PA6939

22" x 30" Catch Basin

6" Riser \$88 - 208#

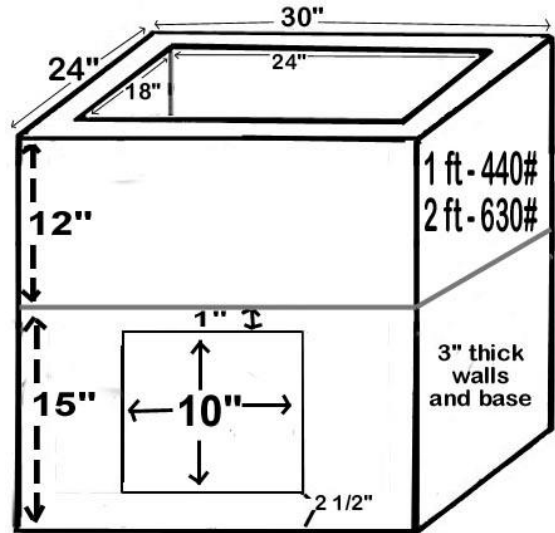


18" x 24" Catch Basin

12" Deep \$168.00

24" Deep \$191.00

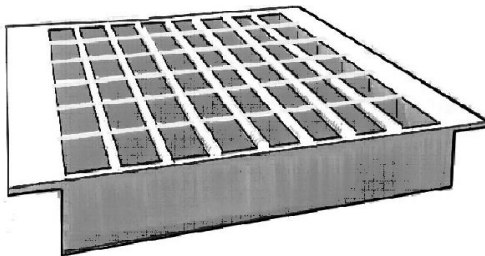
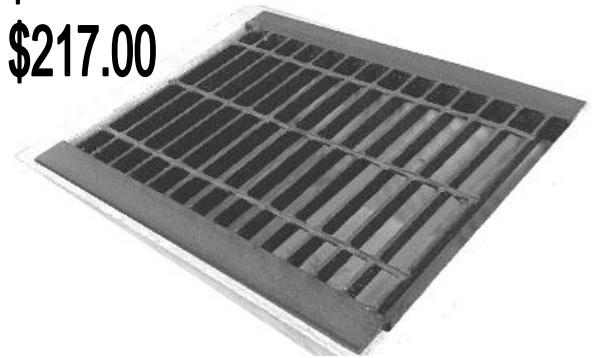
6" Riser \$55.00 - 158#



Angle Grate

18" x 24" - \$152.00

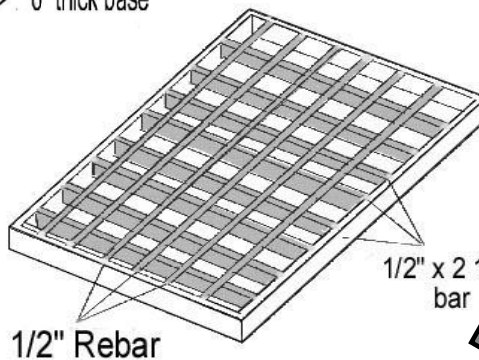
22" x 30" - \$217.00



Heavy Angle Grate

18" x 24" - \$228.00

22" x 30" - \$293.00

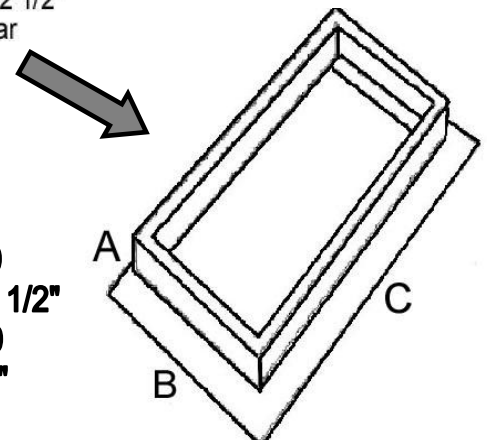


Heavy Bike Grate

18" x 24" - \$224.00

22" x 30" - \$293.00

Heavy Frame
 18"x24" - \$216.00
 A=3" B=23 1/2" C=29 1/2"
 22"x30" - \$231.00
 A=3" B=29" C=37"



ALL DIMENSIONS APPROXIMATE



Hampton Concrete Products, Inc.
 1435 Pittsburgh Road
 Valencia PA 16059
 (724) 443-7205
 www.hamptonconcrete.com
 PA6939

2'x4' CATCH BASINS

Prices - February 2023
 PRICES SUBJECT TO
 CHANGE WITHOUT NOTICE

5'

3'

2'x4' Catch Basin Risers

24" Riser \$205.00	approx wt 2000 lbs
18" Riser \$165.00	1480 lbs
12" Riser \$139.00	1020 lbs
8" Riser \$128.00	680 lbs
6" Riser \$127.00	510 lbs
4" Riser \$123.00	340 lbs

2'x4' Catch Basins no bottom

48" Catch Basin \$382.00	approx wt 3400 lbs
42" Catch Basin \$367.00	3000 lbs
36" Catch Basin \$351.00	2300 lbs
30" Catch Basin \$298.00	2100 lbs

24"

2'x4' Catch Basins with bottom

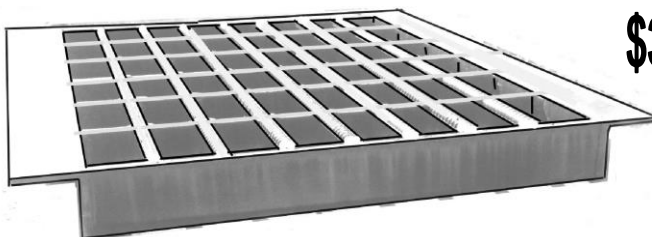
42" ID 48" OD \$462.00	approx wt 3800 lbs
36" ID 42" OD \$447.00	3400 lbs
30" ID 36" OD \$430.00	2820 lbs
24" ID 30" OD \$410.00	2300 lbs

24"
 \updownarrow 6"

3'x5' Base (or top)
\$124.00

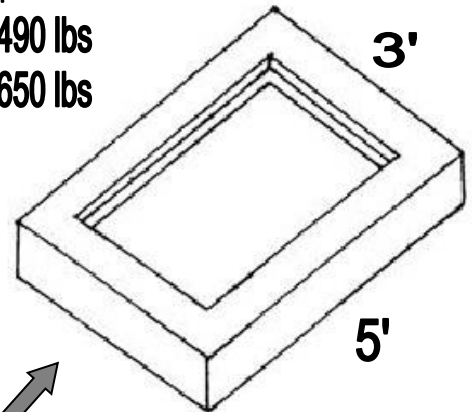
3'

5'

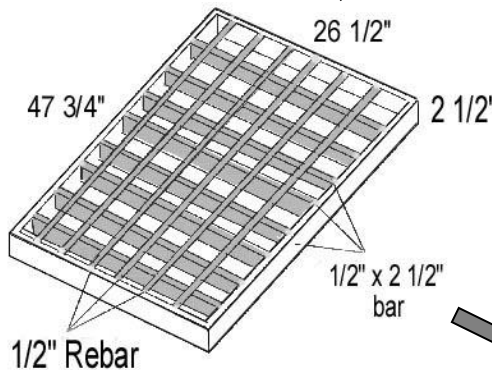


2'x4' Angle Grate
\$327.00

Type M Concrete
Ring \$162.00
 6" ~ 490 lbs
 8" ~ 650 lbs

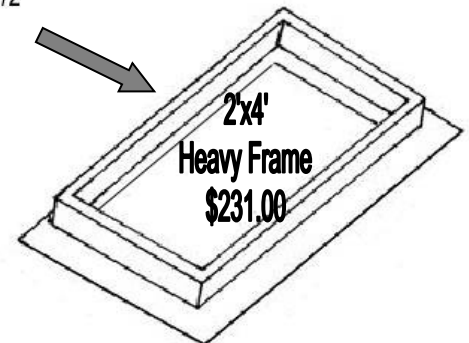


Type C Concrete
Ring \$382.00



2'x4' Heavy
Bike Grate
\$395.00

2'x4' Basket
Grate \$420.00
 pictures available
 upon request



End Wall
46" **\$414.00**

