

Hampton Concrete Products, Inc.

www.hamptonconcrete.com

724-443-7205

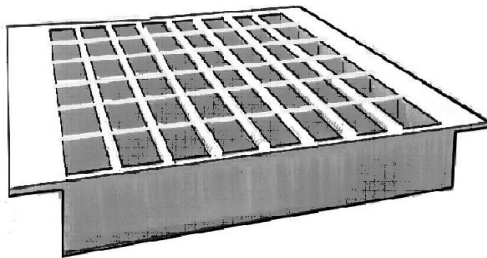
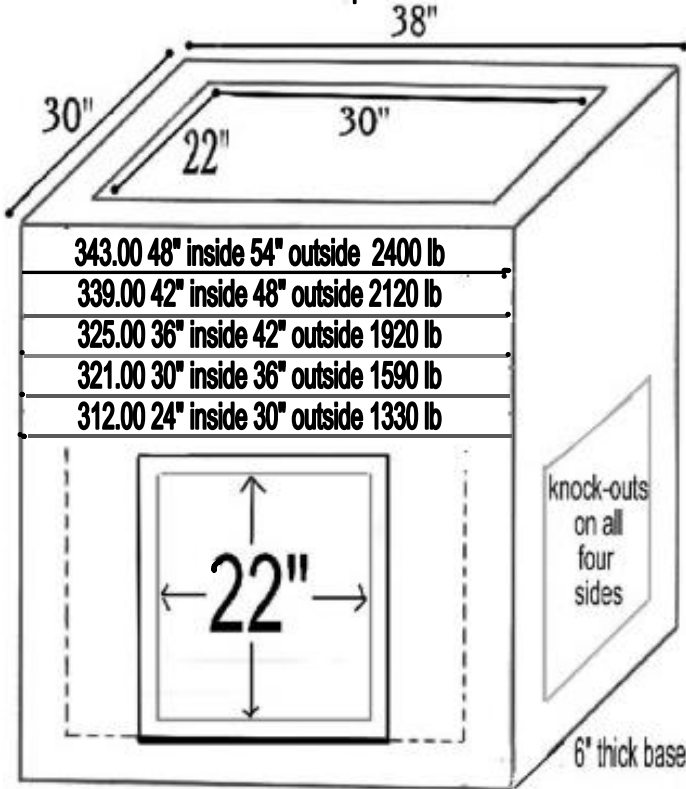
Small Catch Basins - February 2025

PRICES SUBJECT TO CHANGE WITHOUT NOTICE

PA6939

22" x 30" Catch Basin

6" Riser \$98.00 - 208 lbs



Heavy Angle Grate

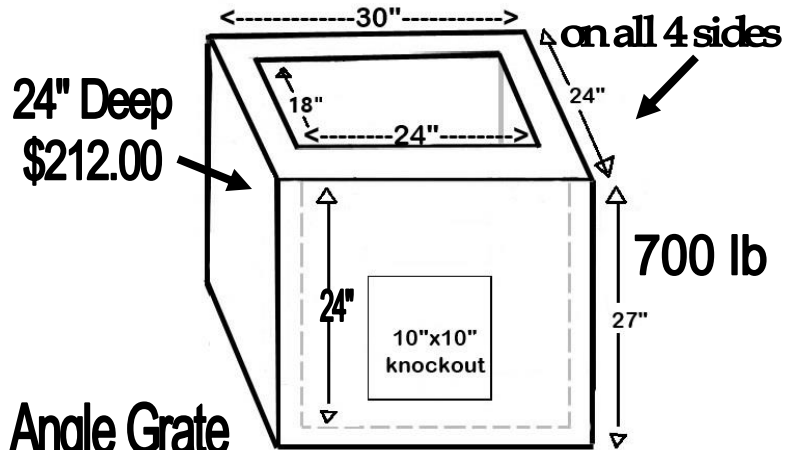
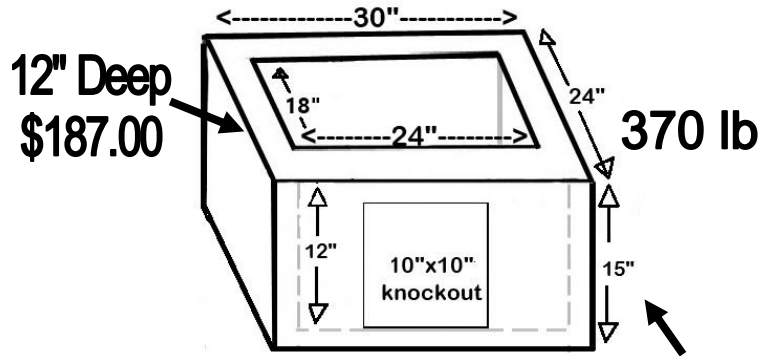
18" x 24" - \$228.00

22" x 30" - \$293.00

ALL DIMENSIONS APPROXIMATE

18" x 24" Catch Basin

6" Riser \$61.00 - 158 lbs



Angle Grate

18" x 24" - \$152.00

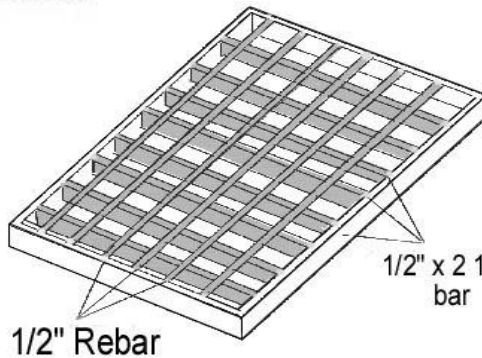
22" x 30" - \$217.00



Heavy Bike Grate

18" x 24" - \$224.00

22" x 30" - \$293.00



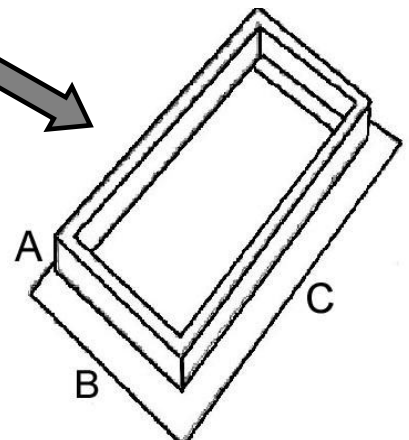
Heavy Frame

18"x24" - \$216.00

A=3" B=23 1/2" C=29 1/2"

22"x30" - \$231.00

A=3" B=29" C=37"





Hampton Concrete Products, Inc.
 1435 Pittsburgh Road
 Valencia PA 16059
 (724) 443-7205
 www.hamptonconcrete.com
 PA6939

2ft x 4ft CATCH BASINS

Prices - February 2025
 PRICES SUBJECT TO
 CHANGE WITHOUT NOTICE

2ft x 4ft Catch Basin Risers

Riser Height	Price	approx wt
24" Riser	\$227.00	2000 lbs
18" Riser	\$184.00	1480 lbs
12" Riser	\$155.00	1020 lbs
8" Riser	\$143.00	680 lbs
6" Riser	\$141.00	510 lbs
4" Riser	\$137.00	340 lbs

2ft x 4ft Catch Basins no bottom

Catch Basin Height	Price	approx wt
48" Catch Basin	\$424.00	3400 lbs
42" Catch Basin	\$408.00	3000 lbs
36" Catch Basin	\$391.00	2300 lbs
30" Catch Basin	\$332.00	2100 lbs

24"

2ft x 4ft Catch Basins with bottom

Dimensions	Price	approx wt
42" ID 48" OD	\$514.00	3800 lbs
36" ID 42" OD	\$497.00	3400 lbs
30" ID 36" OD	\$478.00	2820 lbs
24" ID 30" OD	\$456.00	2300 lbs

24"
 6"

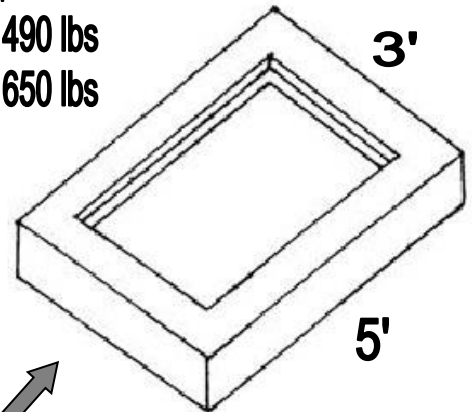
3ft x 5ft Base (or top)
 \$138.00 950 lbs

3'

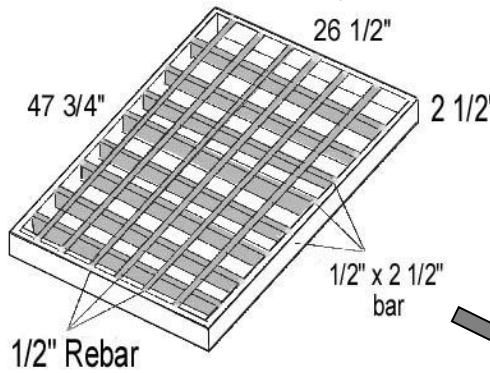
5'

2ft x 4ft Angle Grate
 \$327.00

Type M Concrete
 Ring \$180.00
 6in ~ 490 lbs
 8in ~ 650 lbs

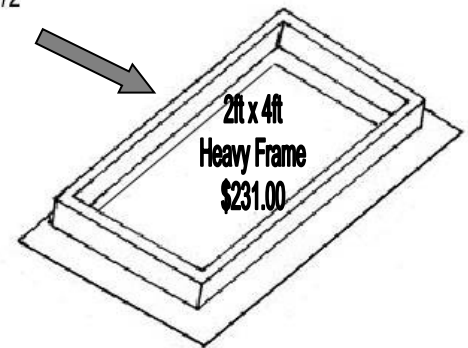


Type C Concrete
 Ring \$424.00



**2ft x 4ft Heavy
 Bike Grate**
 \$415.00

2ft x 4ft Basket
 Grate \$420.00
 pictures available
 upon request



End Wall
 46" \$459.00

