

Hampton Concrete Products, Inc.

www.hamptonconcrete.com

724-443-7205

Small Catch Basins - April 2022

PRICES SUBJECT TO CHANGE WITHOUT NOTICE

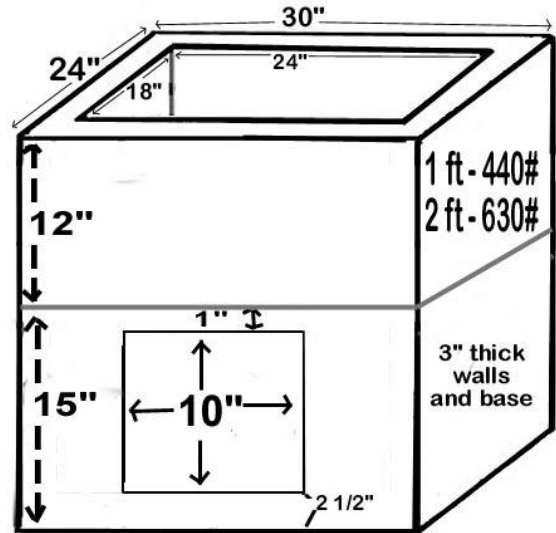
PA6939

18" x 24" Catch Basin

12" Deep \$153.00

24" Deep \$174.00

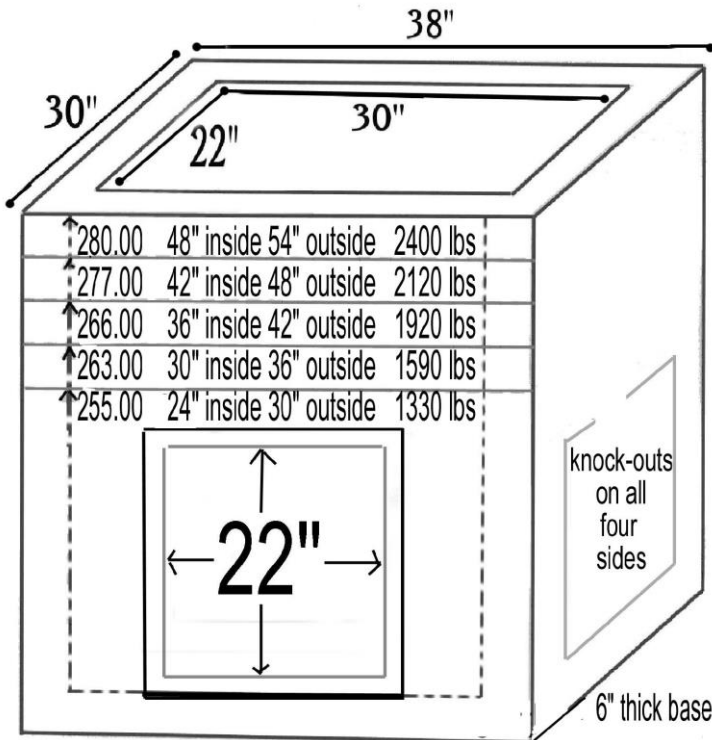
6" Riser \$50.00



knock outs all 4 sides

22" x 30" Catch Basin

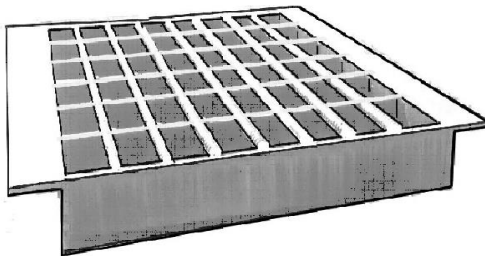
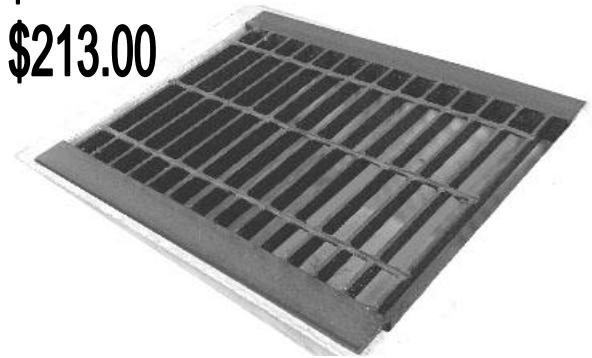
6" Riser \$80



Angle Grate

18" x 24" - \$149.00

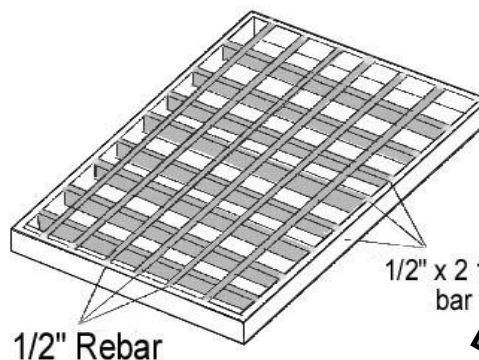
22" x 30" - \$213.00



Heavy Angle Grate

18" x 24" - \$224.00

22" x 30" - \$287.00

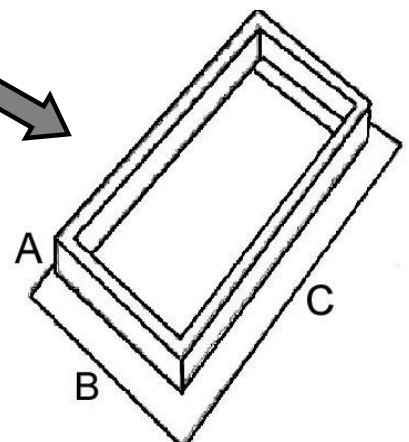


Heavy Bike Grate

18" x 24" - \$220.00

22" x 30" - \$287.00

Heavy Frame
 18"x24" - \$212.00
 A=3" B=23 1/2" C=29 1/2"
 22"x30" - \$226.00
 A=3" B=29" C=37"



ALL DIMENSIONS APPROXIMATE



Hampton Concrete Products, Inc.
 1435 Pittsburgh Road
 Valencia PA 16059
 (724) 443-7205
 www.hamptonconcrete.com
 PA6939

2'x4' CATCH BASINS

Prices for April 2022
 PRICES SUBJECT TO
 CHANGE WITHOUT NOTICE

5'

3'

2'x4' Catch Basin Risers

24" Riser	\$186.00	approx wt 2000 lbs
18" Riser	\$150.00	1480 lbs
12" Riser	\$126.00	1020 lbs
8" Riser	\$116.00	680 lbs
6" Riser	\$115.00	510 lbs
4" Riser	\$112.00	340 lbs

2'x4' Catch Basins no bottom

48" Catch Basin	\$347.00	approx wt 3400 lbs
42" Catch Basin	\$334.00	3000 lbs
36" Catch Basin	\$319.00	2300 lbs
30" Catch Basin	\$271.00	2100 lbs

24"

2'x4' Catch Basins with bottom

42" ID 48" OD	\$420.00	approx wt 3800 lbs
36" ID 42" OD	\$406.00	3400 lbs
30" ID 36" OD	\$391.00	2820 lbs
24" ID 30" OD	\$373.00	2300 lbs

24"
 \updownarrow 6"

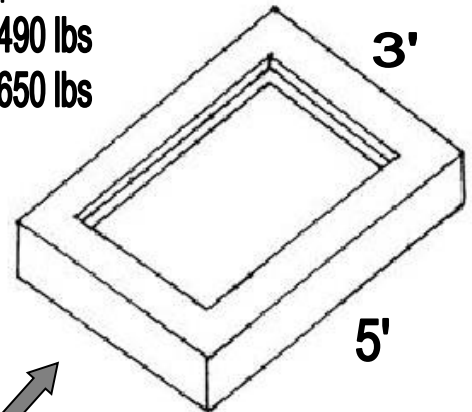
3'x5' Base (or top)
\$113.00

3'

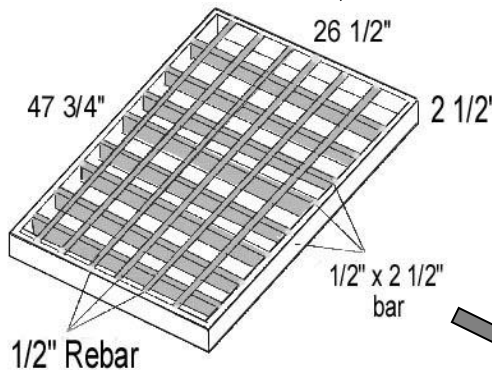
5'

2'x4' Angle Grate
\$321.00

Type M Concrete Ring
\$147.00
 6" ~ 490 lbs
 8" ~ 650 lbs



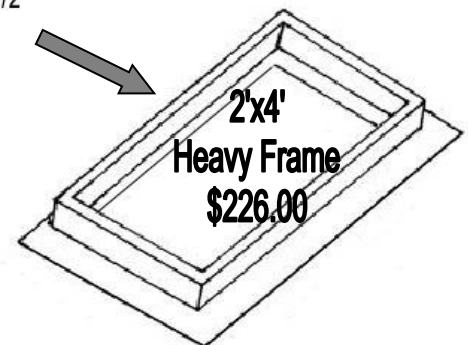
Type C Concrete Ring
\$347.00



2'x4' Heavy Bike Grate
\$450.00

2'x4' Basket Grate
\$412.00

pictures available upon request



2'x4' Heavy Frame
\$226.00

End Wall

