



HAMPTON CONCRETE PRODUCTS INC.

1435 PITTSBURGH ROAD

VALENCIA, PA 16059

WWW.HAMPTONCONCRETE.COM

Phone: 724-443-7205 Fax: 724-443-7207

APRIL 1, 2022
Prices Subject to
Change Without
Notice
PA6939

Cleargress Doors

The Bulkhead Door that transforms your basement into a Warm, Comfortable Living space!



- An aluminum frame & Polycarbonate panel
- Shock system for easy opening and closing
- Locking handle from inside and outside
- Lets 85% of the natural sunlight into the basement
- Warms up the area
- Eliminates the dark, damp environment
- Durable to withstand winters
- Low Maintenance



We manufacture stock and custom sizes



Cheerful Inside

“Best thing we did when finishing our basement. Real daylight down there. Does not look or feel like a basement. Plants thrive and it has become the go to room in our house...”

~Doug B.



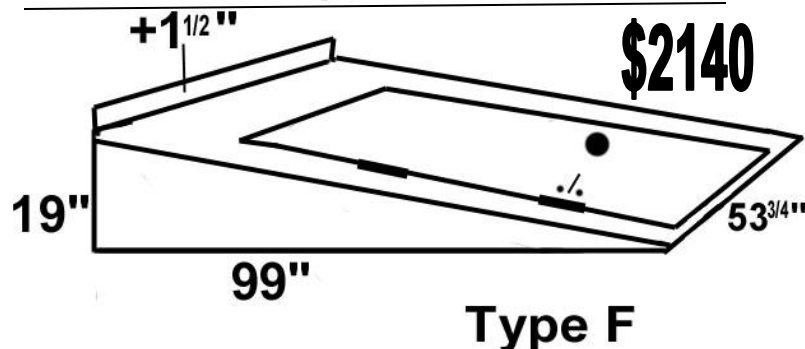
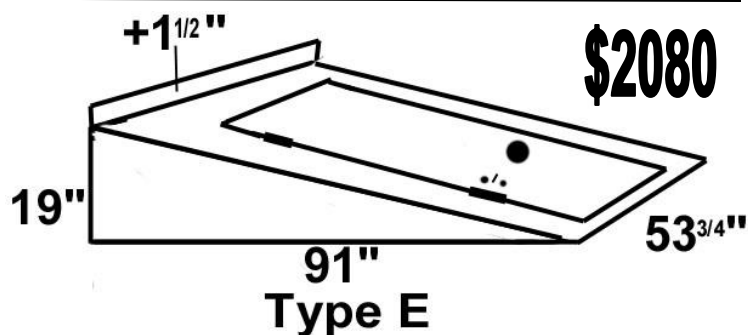
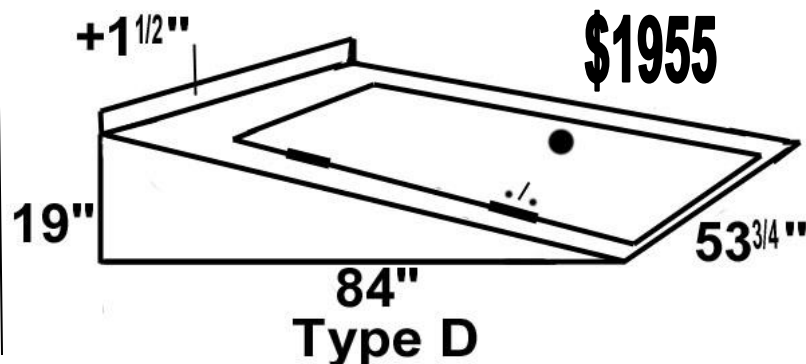
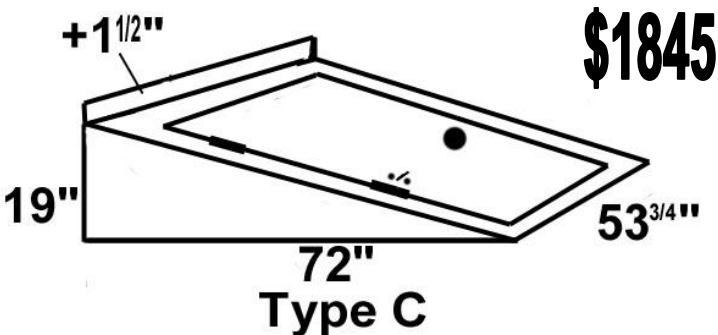
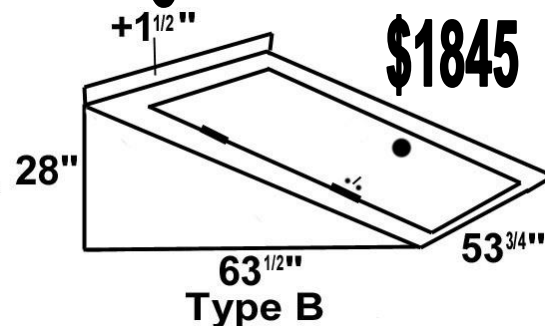
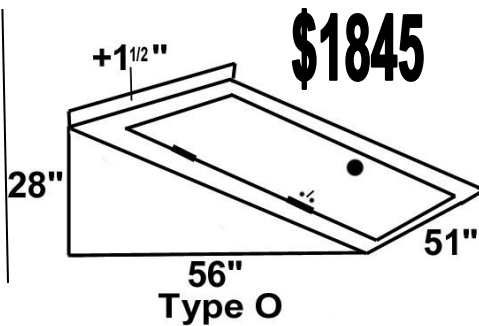
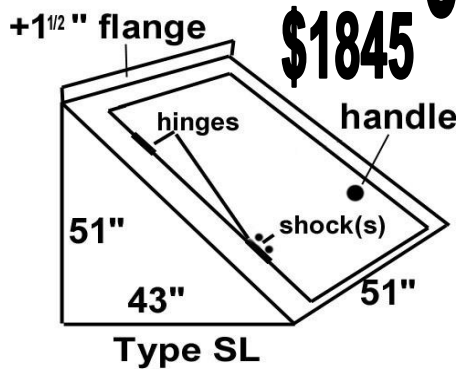
Hydraulic Shock(s) for easy opening



Easy to use lockable handle



Standard Stock Sizes & Pricing



Local pick-up,
delivery and
Nation-wide shipping
available!

EGRESS
WINDOW WELL

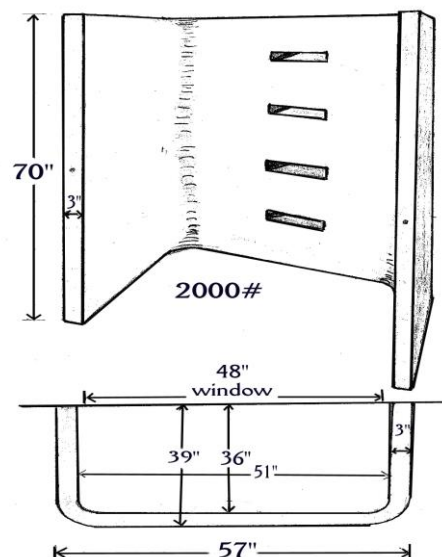


Emergency Exit
Keep your
loved-ones safe

Custom Sizes Available

- * Meets Egress Codes
- * Lets in Natural Sunlight
- * Provides an Emergency Escape
- * The Lid keeps the weather & debris out
- * Fiber-Reinforced Concrete Window Well
- * Aluminum Framed with Polycarbonate Panel Window Well Lid

\$ 460.00 - Window Well
\$ 360.00 - Window Well Lid



prices subject to change without notice
ALL DIMENSIONS APPROXIMATE