



HAMPTON CONCRETE PRODUCTS INC.  
 1435 PITTSBURGH ROAD  
 VALENCIA, PA 16059

[WWW.HAMPTONCONCRETE.COM](http://WWW.HAMPTONCONCRETE.COM)

Phone: 724-443-7205 Fax: 724-443-7207

FEBRUARY 2023  
 Prices Subject to  
 Change Without  
 Notice  
 PA6939

# Cleargress



**The Bulkhead Door that transforms your basement into a Warm, Comfortable Living space!**



- An aluminum frame & Polycarbonate panel
- Shock system for easy opening and closing
- Locking handle from inside and outside
- Lets 85% of the natural sunlight into the basement
- Warms up the area
- Eliminates the dark, damp environment
- Durable to withstand winters
- Low Maintenance
- Custom Sizes



**Easy to use  
lockable handle**



**Hydraulic Shock(s)  
for easy opening**



**Cheerful Inside**

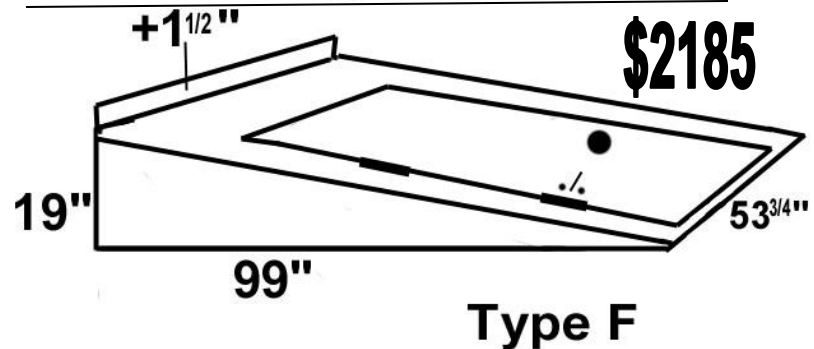
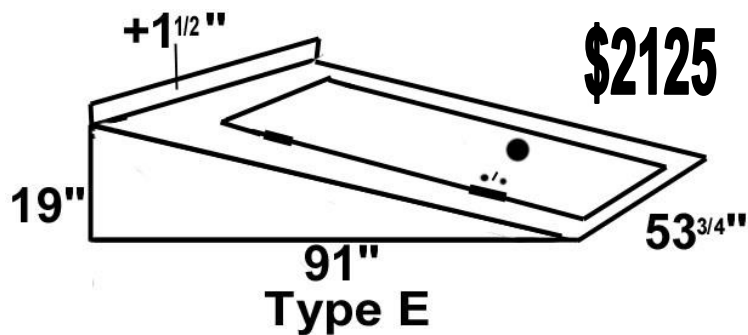
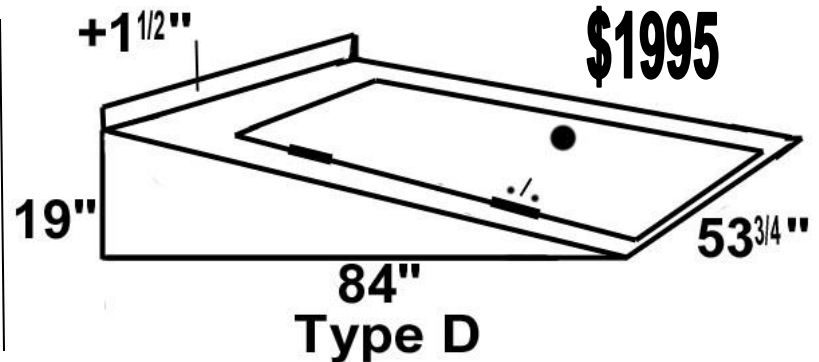
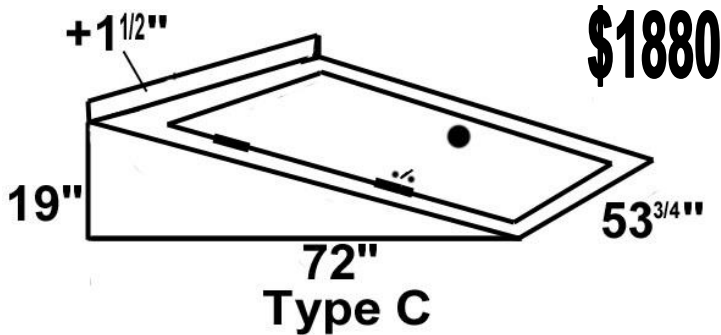
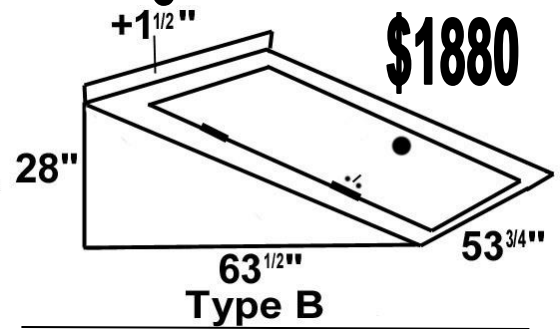
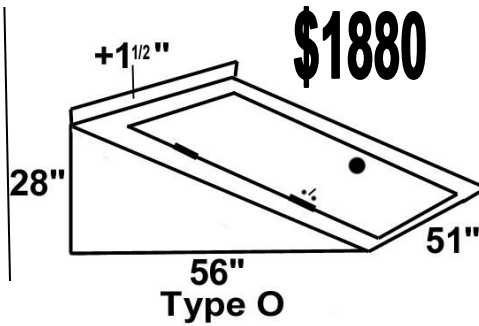
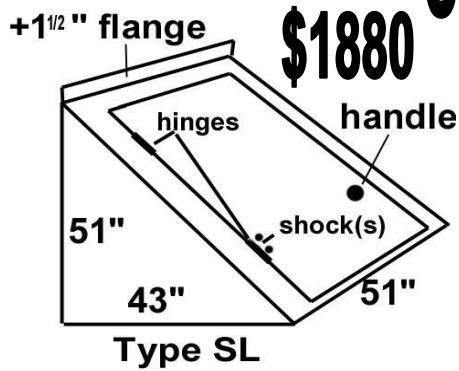


**“Best thing we did when finishing our basement. Real daylight down there. Does not look or feel like a basement. Plants thrive and it has become the go to room in our house...”**

**~Doug B.**



# Standard Stock Sizes & Pricing



Local pick-up,  
delivery and  
Nation-wide shipping  
available!

EGRESS  
WINDOW WELL



Emergency Exit  
Keep your  
loved-ones safe

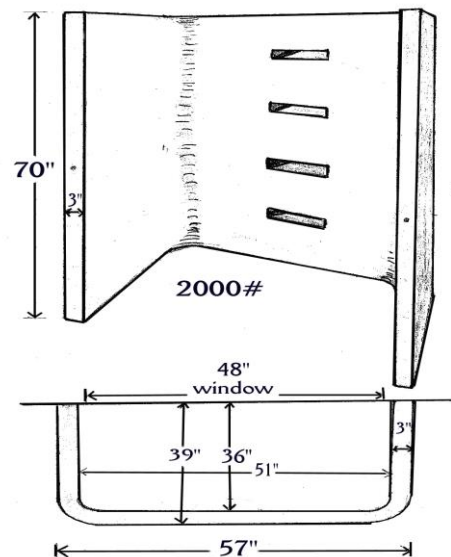
## Custom Sizes Available

- \* Meets Egress Codes
- \* Lets in Natural Sunlight
- \* Provides an Emergency Escape
- \* The Lid keeps the weather & debris out
- \* Fiber-Reinforced Concrete Window Well
- \* Aluminum Framed with Polycarbonate Panel Window Well Lid

**\$ 460.00 - Window Well**

**\$ 360.00 - Window Well Lid**

**\$100.00 - Installation**



prices subject to change without notice  
ALL DIMENSIONS APPROXIMATE