



Hampton Concrete Products, Inc.
 1435 Pittsburgh Road
 Valencia PA 16059
 724.443.7205
 www.hamptonconcrete.com
 PA 6939

Trench Prices For April 1, 2019

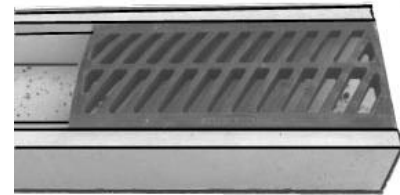
Prices subject to change without notice

Standard Trench Grate

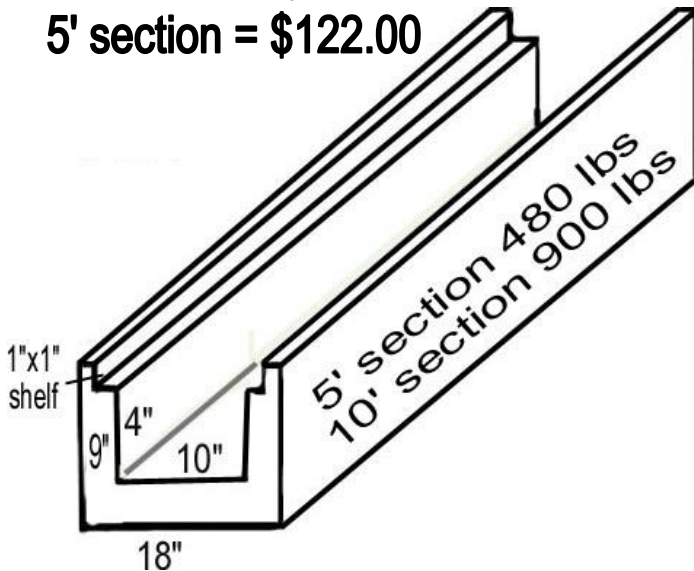


5' = \$107.00

Cast Iron Trench Grate
 \$220.00 per 30" piece

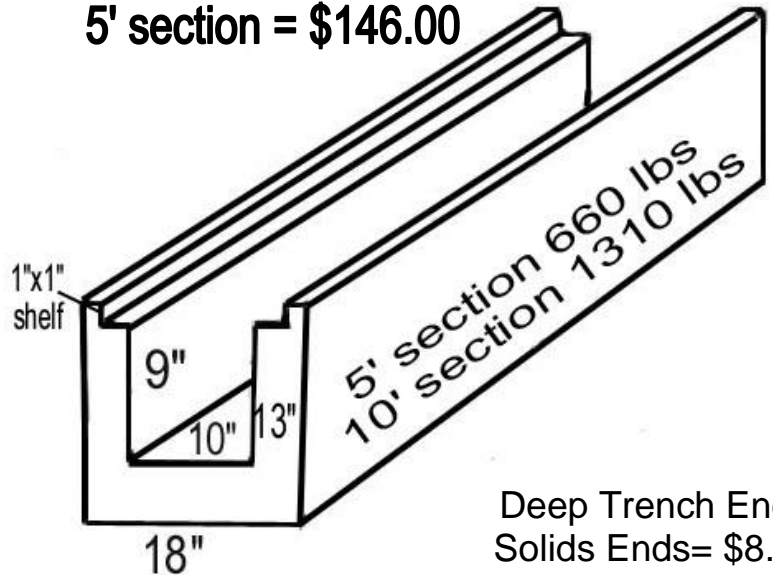


Shallow Trench
 10' section = \$245.00
 5' section = \$122.00



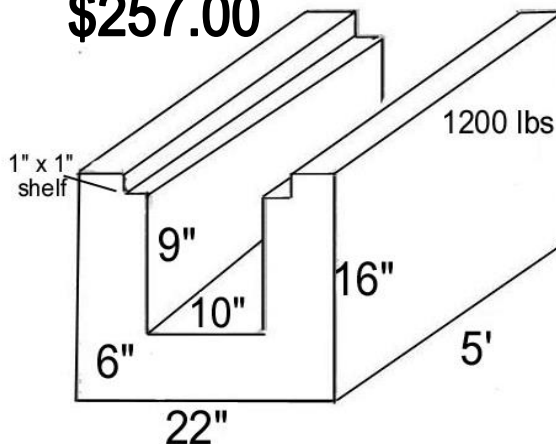
Shallow Trench Ends
 Solids Ends= \$6.35
 Ends with insert=\$12.65

Deep Trench
 10' section = \$291.00
 5' section = \$146.00



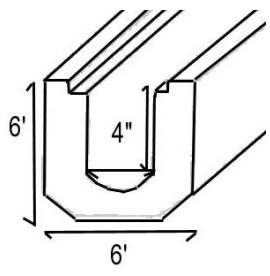
Deep Trench Ends
 Solids Ends= \$8.45
 Ends with insert=\$14.75

Heavy Trench
 \$257.00

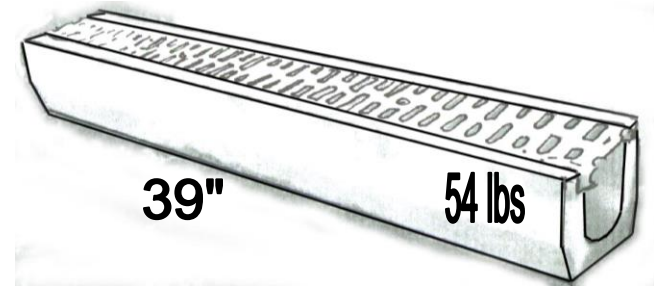


Hampton Concrete Products, Inc.
 1435 Pittsburgh Road
 Valencia PA 16059
 724.443.7205
 www.hamptonconcrete.com
 PA 6939

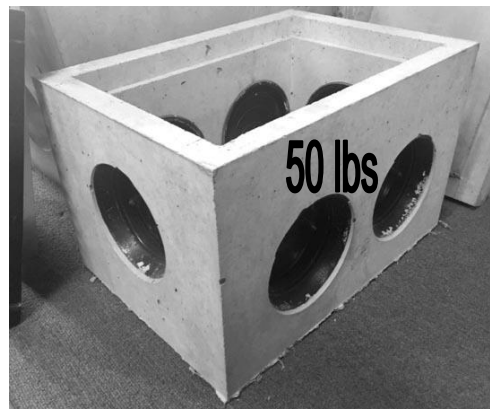
Prices subject to change without notice



Small Trench \$37.00 per piece
 Galvanized Grating \$34.00
 Endcaps \$14.00 each

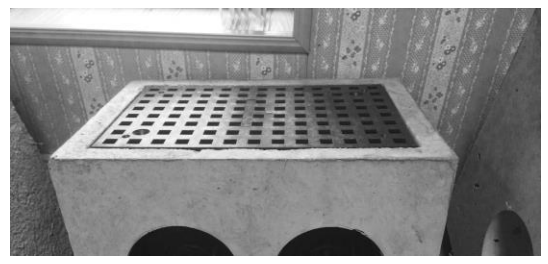


Baby Distribution Box \$33.00



Inside dimensions
 8 1/2" x 12 1/2" x 8" high
 Outside dimension
 11" x 15 1/2" x 10" high

Plastic Grate \$25.00



Straight Grate \$20.40

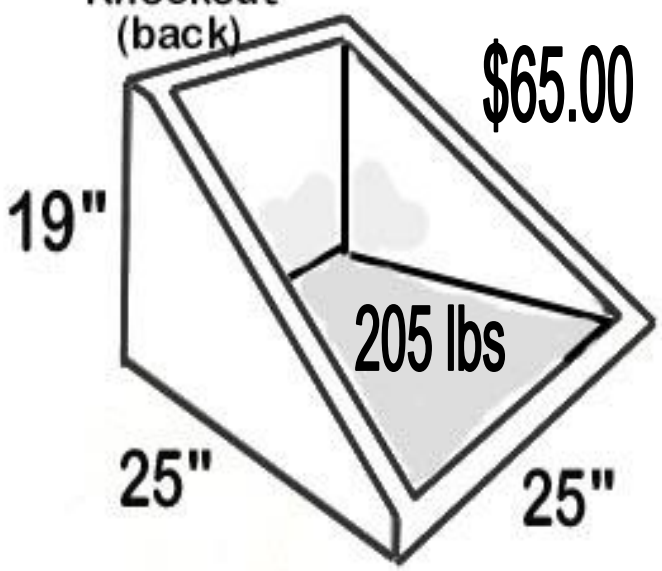


Solid Lid \$7.35



Jr Endwall

15" Square
 Knockout
 (back)



Baby Endwall

10" Square
 Knockout
 (back)

