



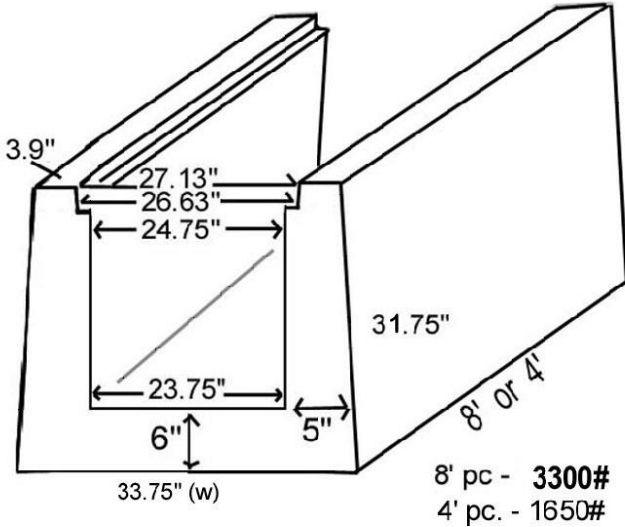
Hampton Concrete Products, Inc.
 1435 Pittsburgh Road
 Valencia PA 16059
 724.443.7205
 www.hamptonconcrete.com
 PA 6939

Prices subject to change without notice

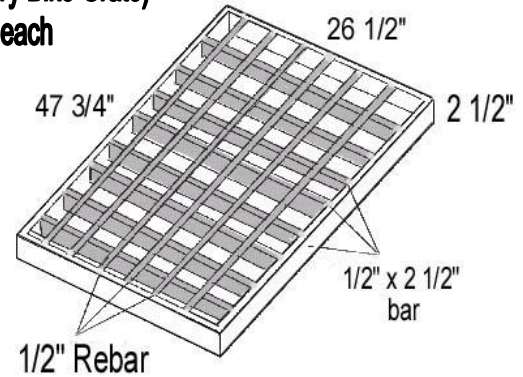
Trench Prices
 February 2023

PRICES SUBJECT TO CHANGE WITHOUT NOTICE

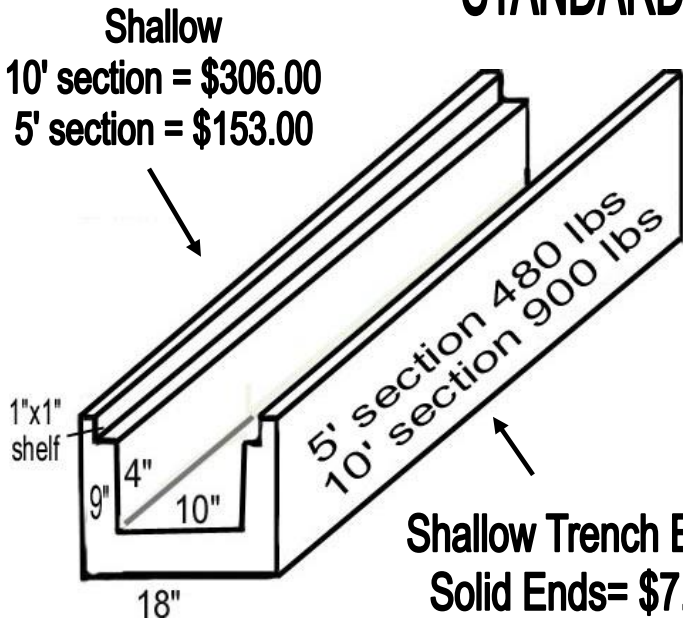
NEW PRODUCT!! 2' x 2' BIG TRENCH



8' section = \$886.00
 4' section = \$443.00
 4' Grates = \$395.00 each (2x4 Heavy Bike Grate)
 Big Trench Ends = \$68.00 each

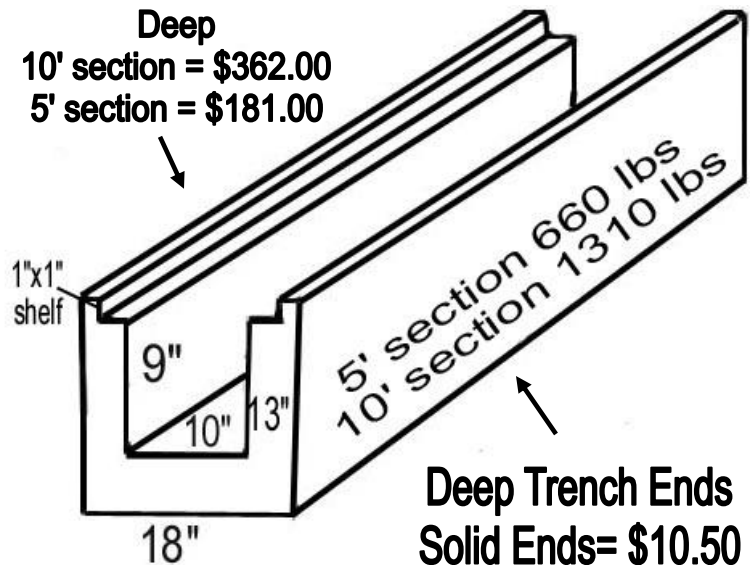


STANDARD TRENCH



Shallow
 10' section = \$306.00
 5' section = \$153.00

Shallow Trench Ends
 Solid Ends = \$7.90
 Ends with insert = \$15.75



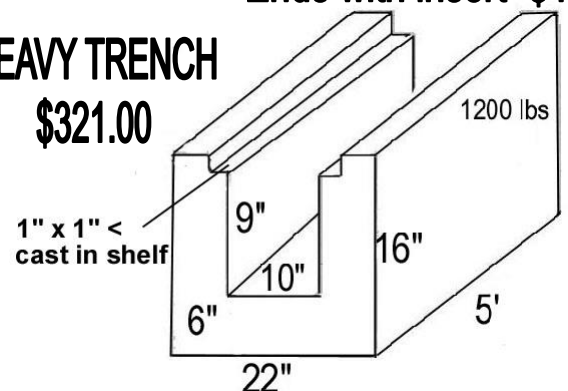
Deep
 10' section = \$362.00
 5' section = \$181.00

Deep Trench Ends
 Solid Ends = \$10.50
 Ends with insert = \$18.50

STANDARD TRENCH GRATE



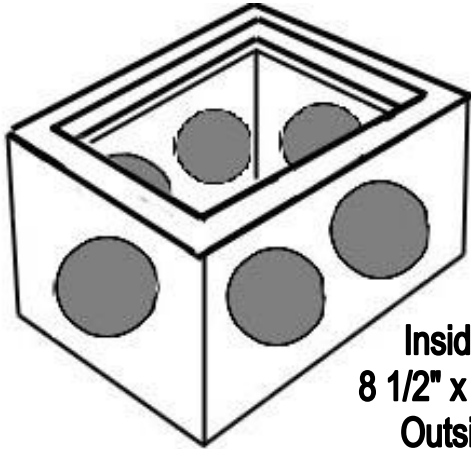
HEAVY TRENCH \$321.00



Hampton Concrete Products, Inc.
 1435 Pittsburgh Road
 Valencia PA 16059
 724.443.7205
 www.hamptonconcrete.com
 PA 6939

Prices subject to change without notice

Baby Distribution Box \$42.00



50#

Inside dimensions
 8 1/2" x 12 1/2" x 8" high
 Outside dimension
 11" x 15 1/2" x 10" high
 4" knock-outs

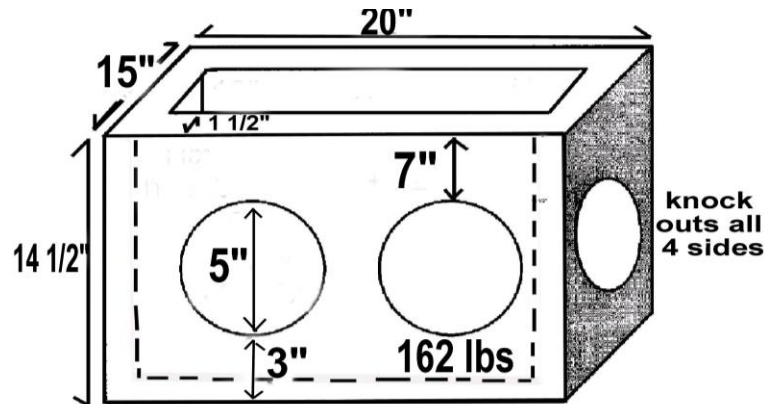
Steel Grate \$24.00



Solid Lid \$9.15

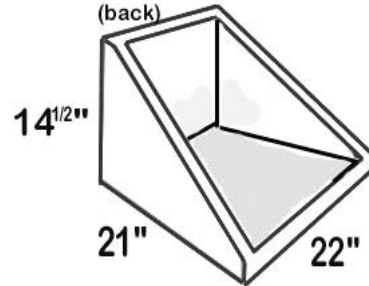


12x17x12 Catch Basin \$61.00
12" x 17" Angle Grate - \$54.00



Baby Endwall

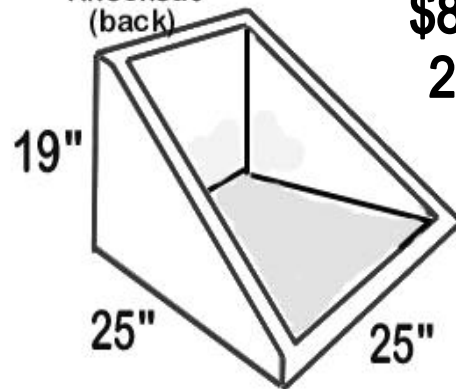
10" Square
 Knockout
 (back)



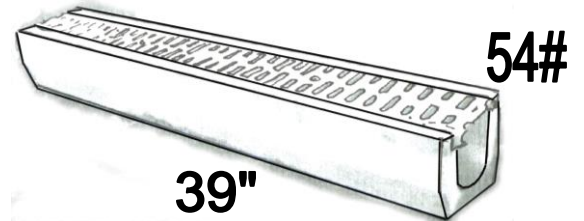
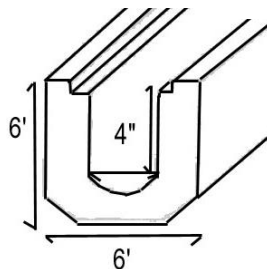
\$69.00
150#

Jr Endwall

15" Square
 Knockout
 (back)



\$81.00
205#



Small Trench \$46.00 per piece
Galvanized Grating \$41.00
Endcaps \$17.60 each