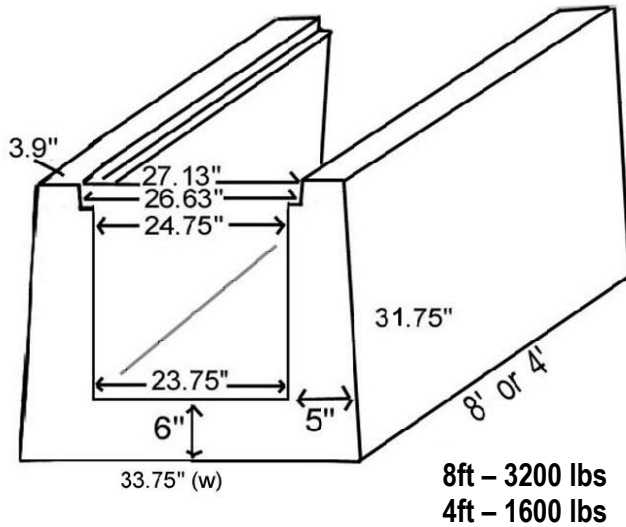




Hampton Concrete Products, Inc.  
 1435 Pittsburgh Road  
 Valencia PA 16059  
 724.443.7205  
 www.hamptonconcrete.com  
 PA 6939  
 Prices subject to change without notice

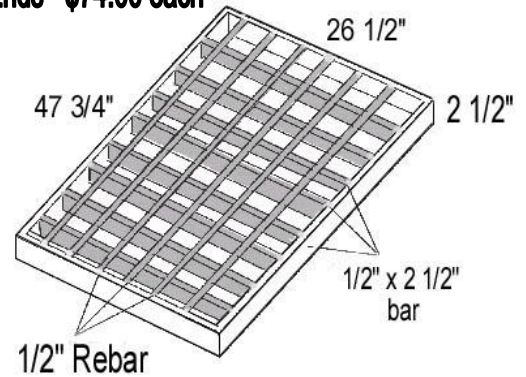
Trench Prices  
 February 2024

PRICES SUBJECT TO CHANGE WITHOUT NOTICE



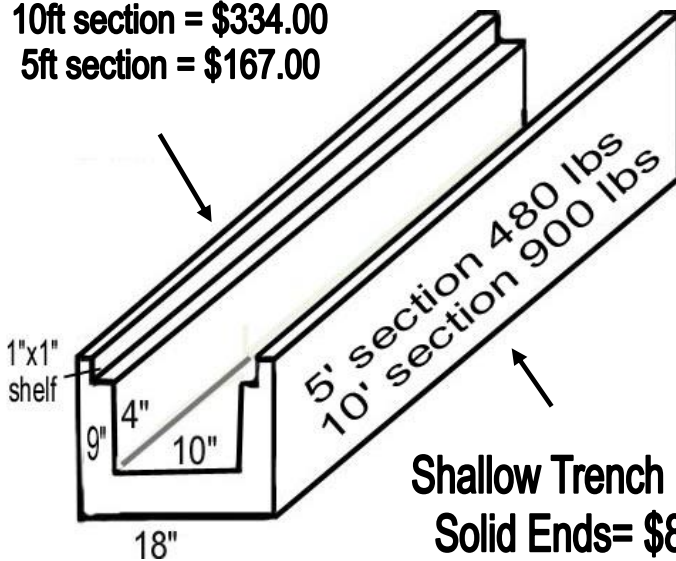
**NEW PRODUCT!!**  
**2ft x 2ft BIG TRENCH**

8ft section = \$886.00  
 4ft section = \$443.00  
 4ft Grates = \$395.00 each (2ft x 4ft Heavy Bike Grate)  
 Big Trench Ends = \$74.00 each

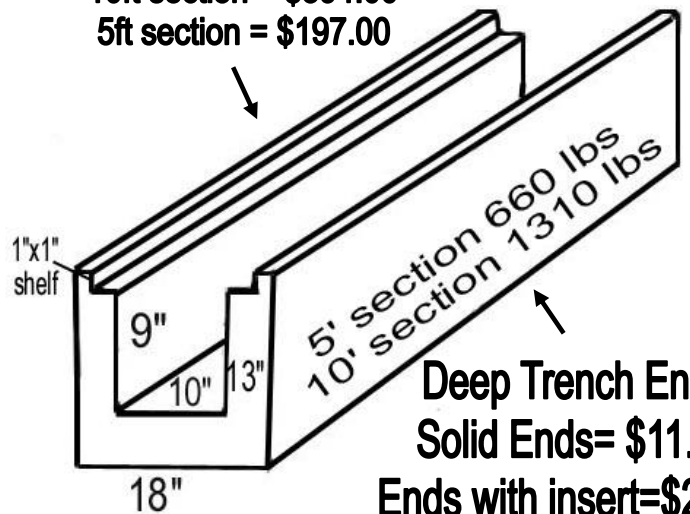


**STANDARD TRENCH**

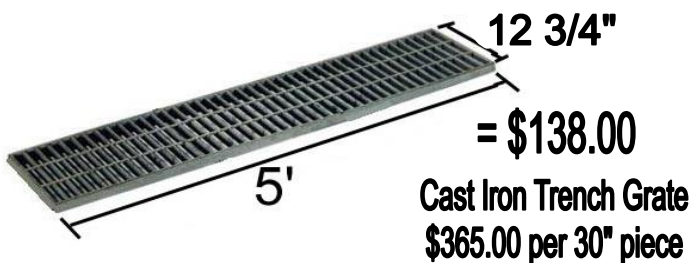
**Shallow**  
 10ft section = \$334.00  
 5ft section = \$167.00



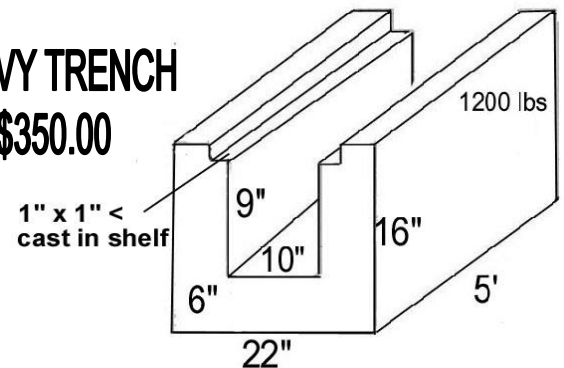
**Deep**  
 10ft section = \$394.00  
 5ft section = \$197.00



**STANDARD TRENCH GRATE**



**HEAVY TRENCH**  
 \$350.00

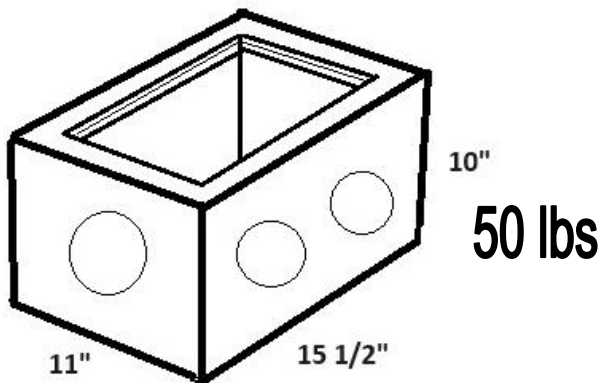


Hampton Concrete Products, Inc.  
 1435 Pittsburgh Road  
 Valencia PA 16059  
 724.443.7205  
 www.hamptonconcrete.com  
 PA 6939

Prices subject to change without notice

**Baby Distribution Box \$46.00**

Inside dimensions 8-1/2" x 12-1/2" x 8" high  
 4" knock-outs



**Steel Grate \$24.00**

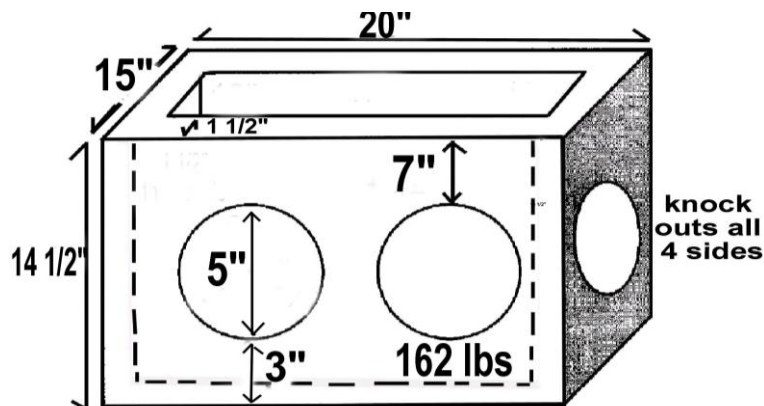


**Solid Lid \$10.00**

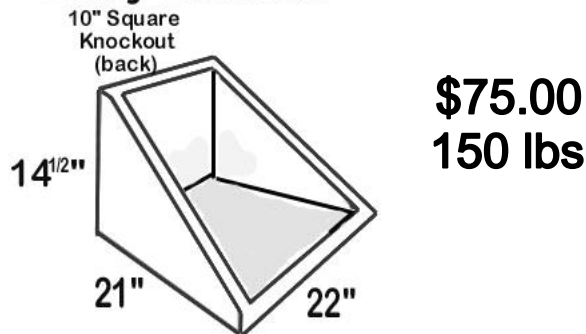


**12" x 17" x 12" Catch Basin \$66.00**

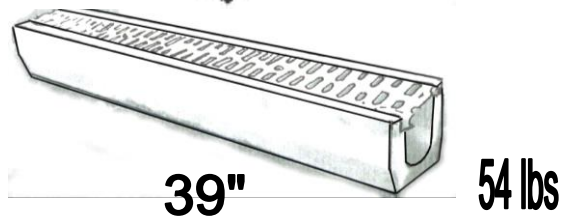
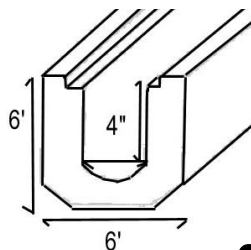
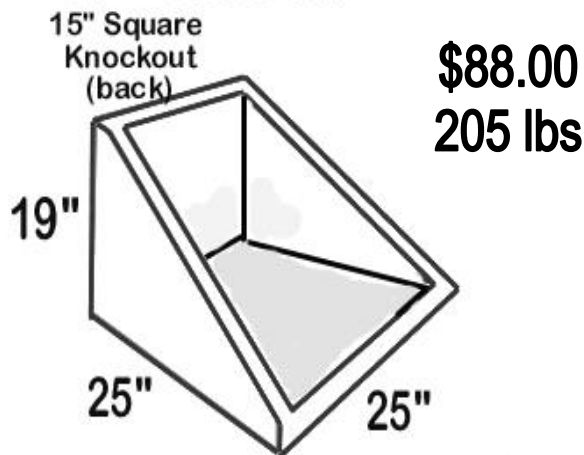
**12" x 17" Angle Grate - \$54.00**



**Baby Endwall**



**Jr Endwall**



**Small Trench \$50.00 per piece**  
**Galvanized Grating \$43.00**  
**Endcaps \$18.50 each**