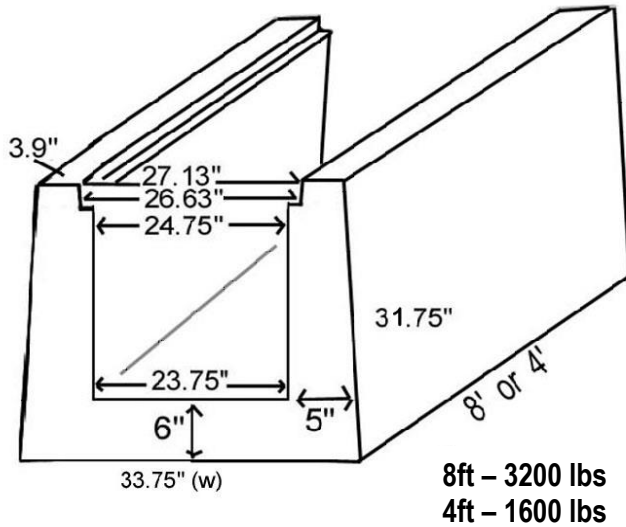




Hampton Concrete Products, Inc.
 1435 Pittsburgh Road
 Valencia PA 16059
 724.443.7205
 www.hamptonconcrete.com
 PA 6939
 Prices subject to change without notice

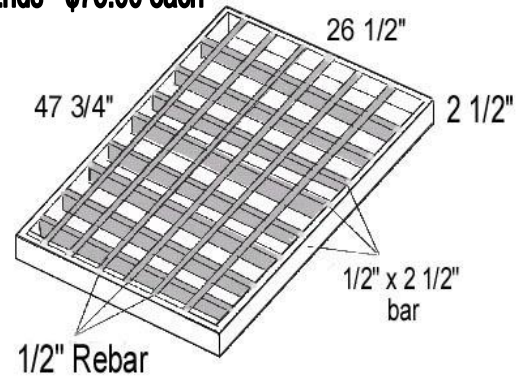
Trench Prices
 February 2025

PRICES SUBJECT TO CHANGE WITHOUT NOTICE



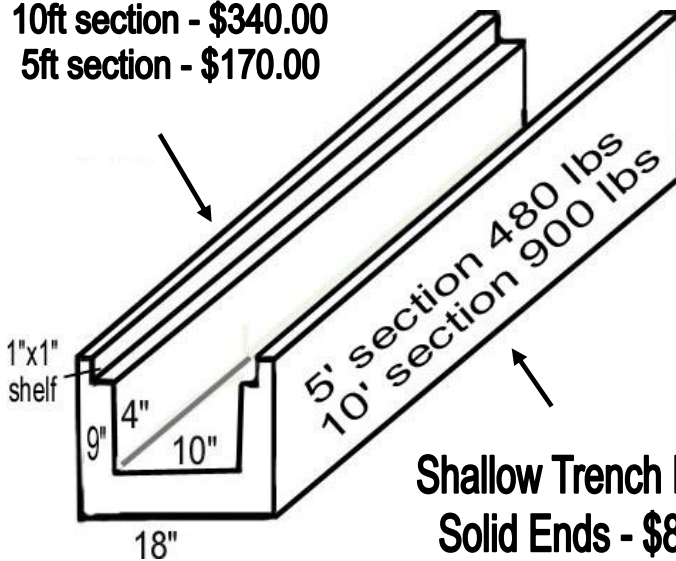
NEW PRODUCT!!
2ft x 2ft BIG TRENCH

8ft section - \$904.00
 4ft section - \$452.00
 4ft Grates - \$415.00 each (2ft x 4ft Heavy Bike Grate)
 Big Trench Ends - \$75.00 each

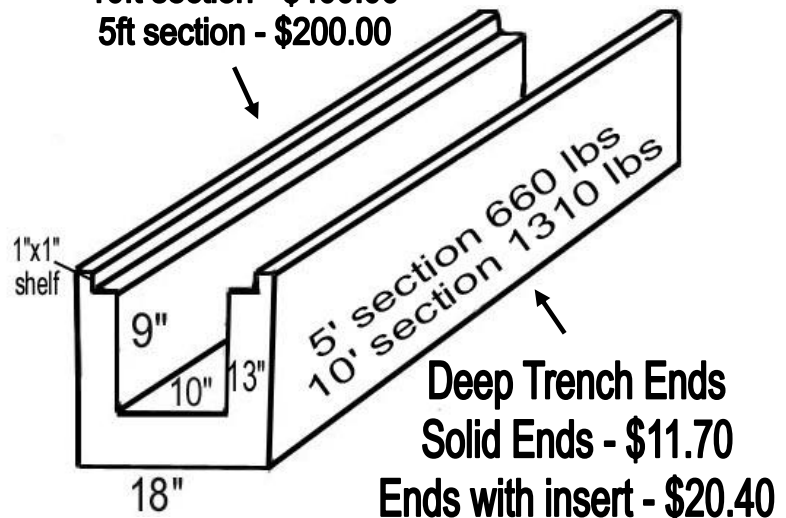


STANDARD TRENCH

Shallow
 10ft section - \$340.00
 5ft section - \$170.00



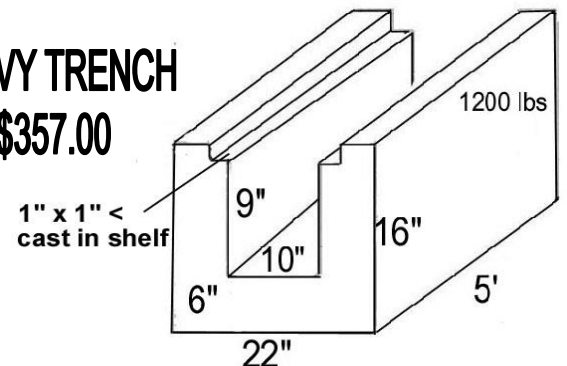
Deep
 10ft section - \$400.00
 5ft section - \$200.00



STANDARD TRENCH GRATE



HEAVY TRENCH
\$357.00



Hampton Concrete Products, Inc.
 1435 Pittsburgh Road
 Valencia PA 16059
 724.443.7205
 www.hamptonconcrete.com
 PA 6939

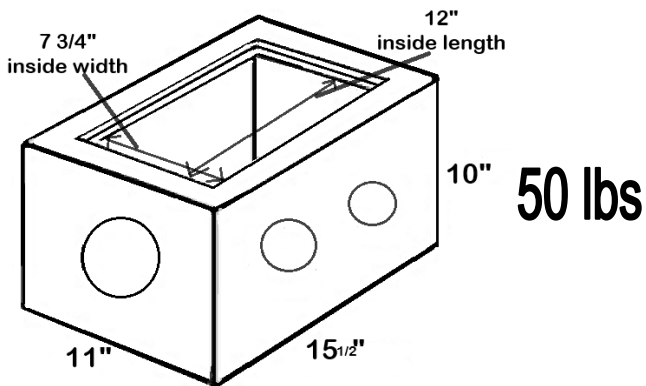
Prices subject to change without notice

Baby Distribution Box \$47.00

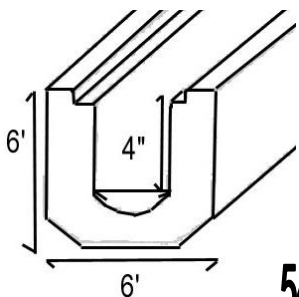
Inside dimensions 8-1/2" x 12-1/2" x 8" high

4" knock-outs

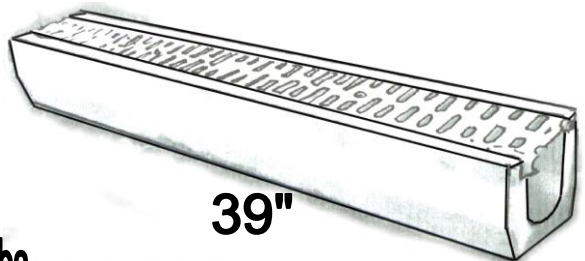
Solid Lid \$10.20



Steel Grate \$24.00



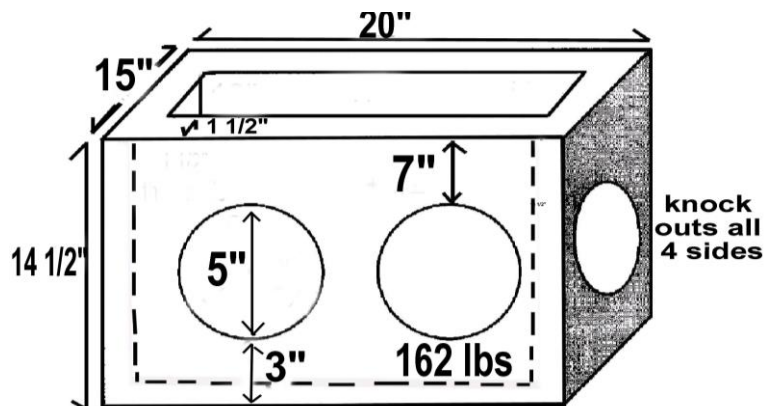
54 lbs



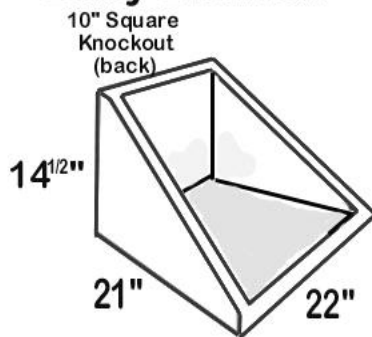
39"

12" x 17" x 12" Catch Basin \$67.00

12" x 17" Angle Grate - \$54.00

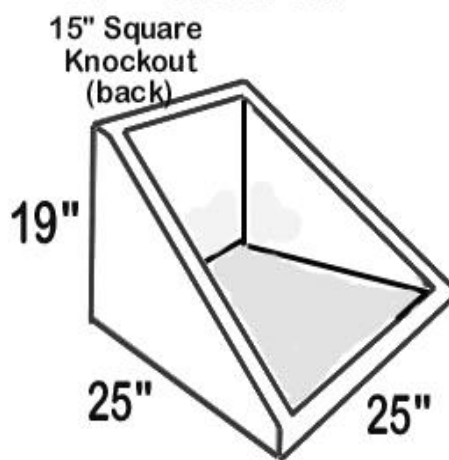


Baby Endwall



\$77.00
 150 lbs

Jr Endwall



\$90.00
 205 lbs

Small Trench \$51.00 per piece

Galvanized Grating \$45.00

Endcaps \$18.50 each