



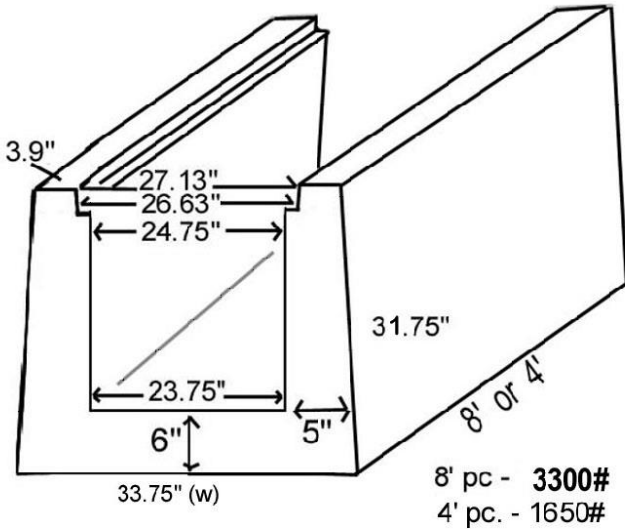
Hampton Concrete Products, Inc.  
 1435 Pittsburgh Road  
 Valencia PA 16059  
 724.443.7205  
 www.hamptonconcrete.com  
 PA 6939

Prices subject to change without notice

Trench Prices  
 For April 2022

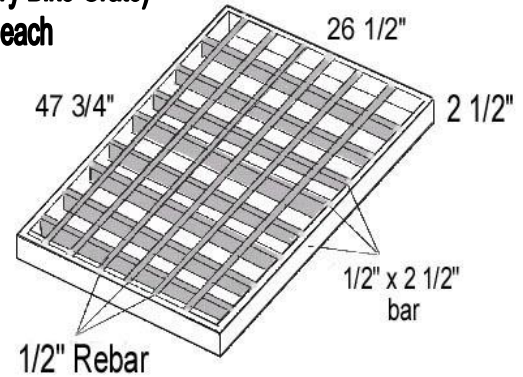
PRICES SUBJECT TO CHANGE WITHOUT NOTICE

## NEW PRODUCT!! 2' x 2' BIG TRENCH

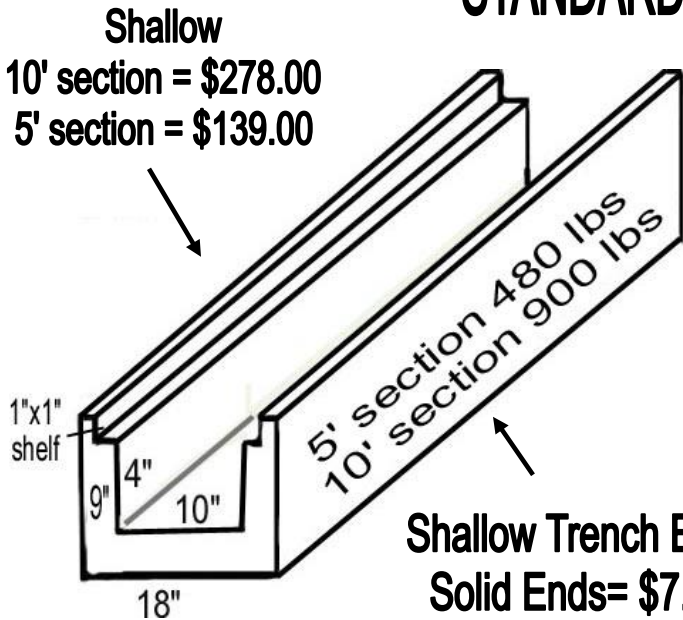


8' pc - 3300#  
 4' pc - 1650#

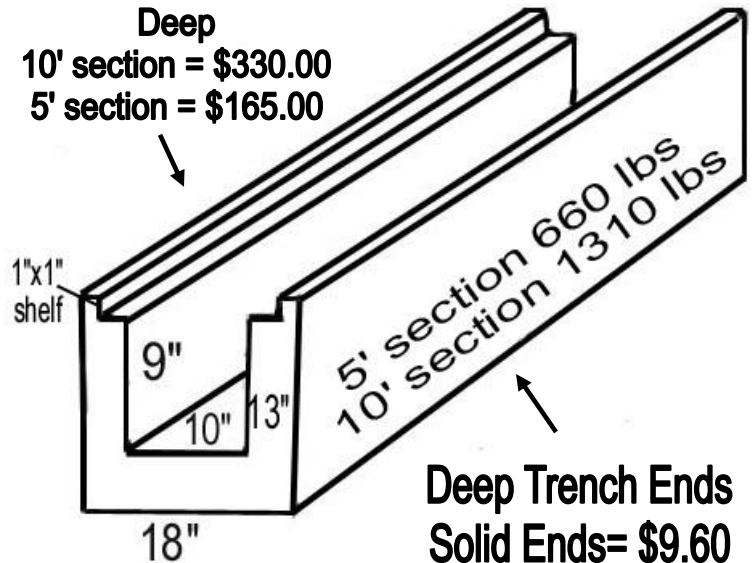
8' section = \$852.00  
 4' section = \$426.00  
 4' Grates = \$450.00 each (2x4 Heavy Bike Grate)  
 Big Trench Ends = \$62.00 each



## STANDARD TRENCH



Shallow Trench Ends  
 Solid Ends = \$7.15  
 Ends with insert = \$14.30

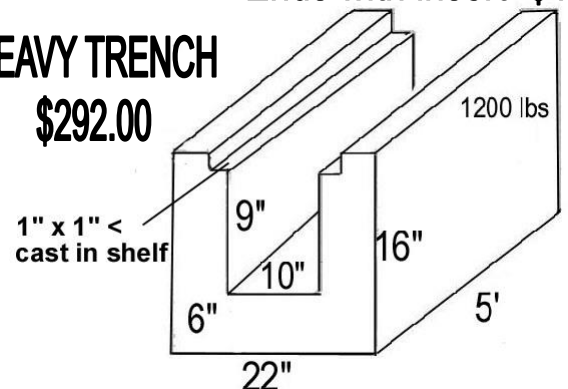


Deep Trench Ends  
 Solid Ends = \$9.60  
 Ends with insert = \$16.80

## STANDARD TRENCH GRATE



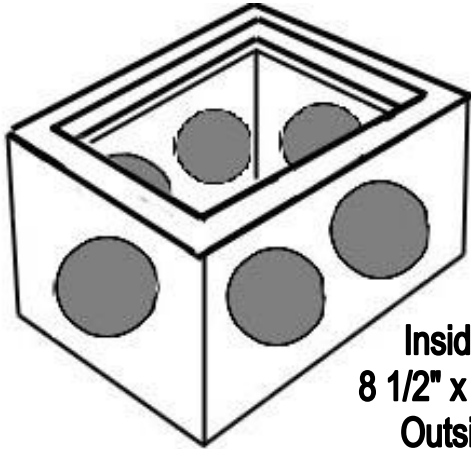
## HEAVY TRENCH \$292.00



Hampton Concrete Products, Inc.  
 1435 Pittsburgh Road  
 Valencia PA 16059  
 724.443.7205  
 www.hamptonconcrete.com  
 PA 6939

Prices subject to change without notice

**Baby Distribution Box \$38.00**



**50#**

Inside dimensions  
 8 1/2" x 12 1/2" x 8" high  
 Outside dimension  
 11" x 15 1/2" x 10" high  
 4" knock-outs

**Steel Grate \$23.50**

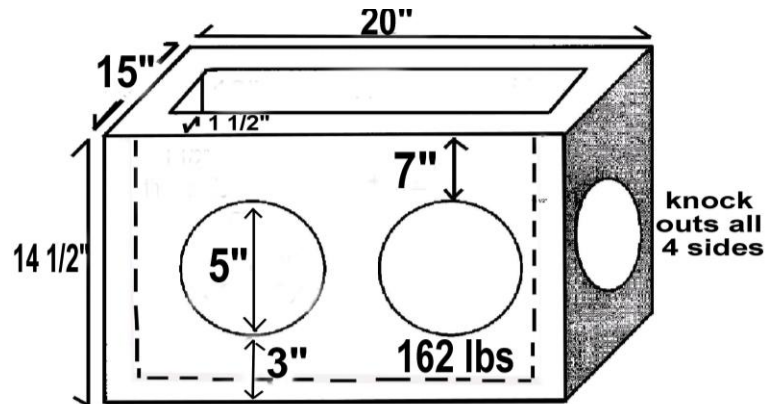


**Solid Lid \$8.30**



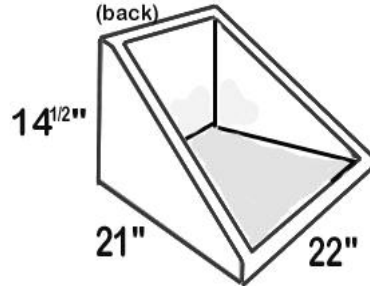
**12x17x12 Catch Basin \$55.00**

12" X 17" ANGLE GRATE - \$53.00



**Baby Endwall**

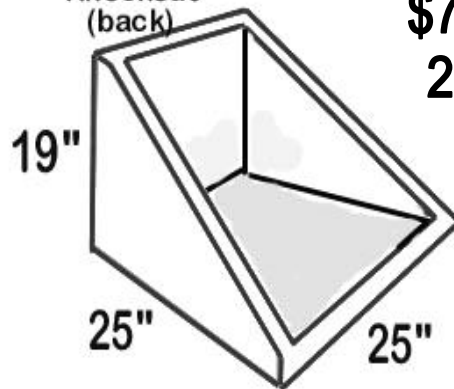
10" Square  
 Knockout  
 (back)



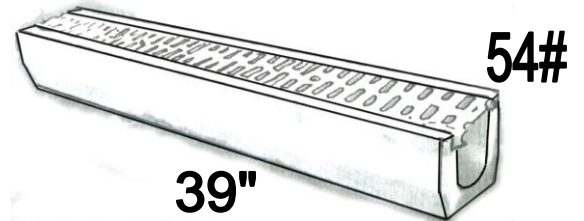
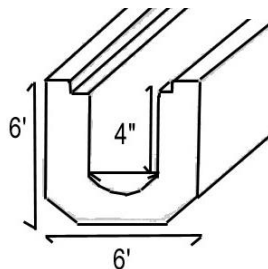
**\$63.00**  
**150#**

**Jr Endwall**

15" Square  
 Knockout  
 (back)



**\$74.00**  
**205#**



**Small Trench \$42.00 per piece**  
**Galvanized Grating \$40.00**  
**Endcaps \$16.00 each**